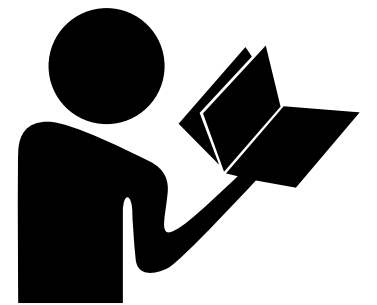
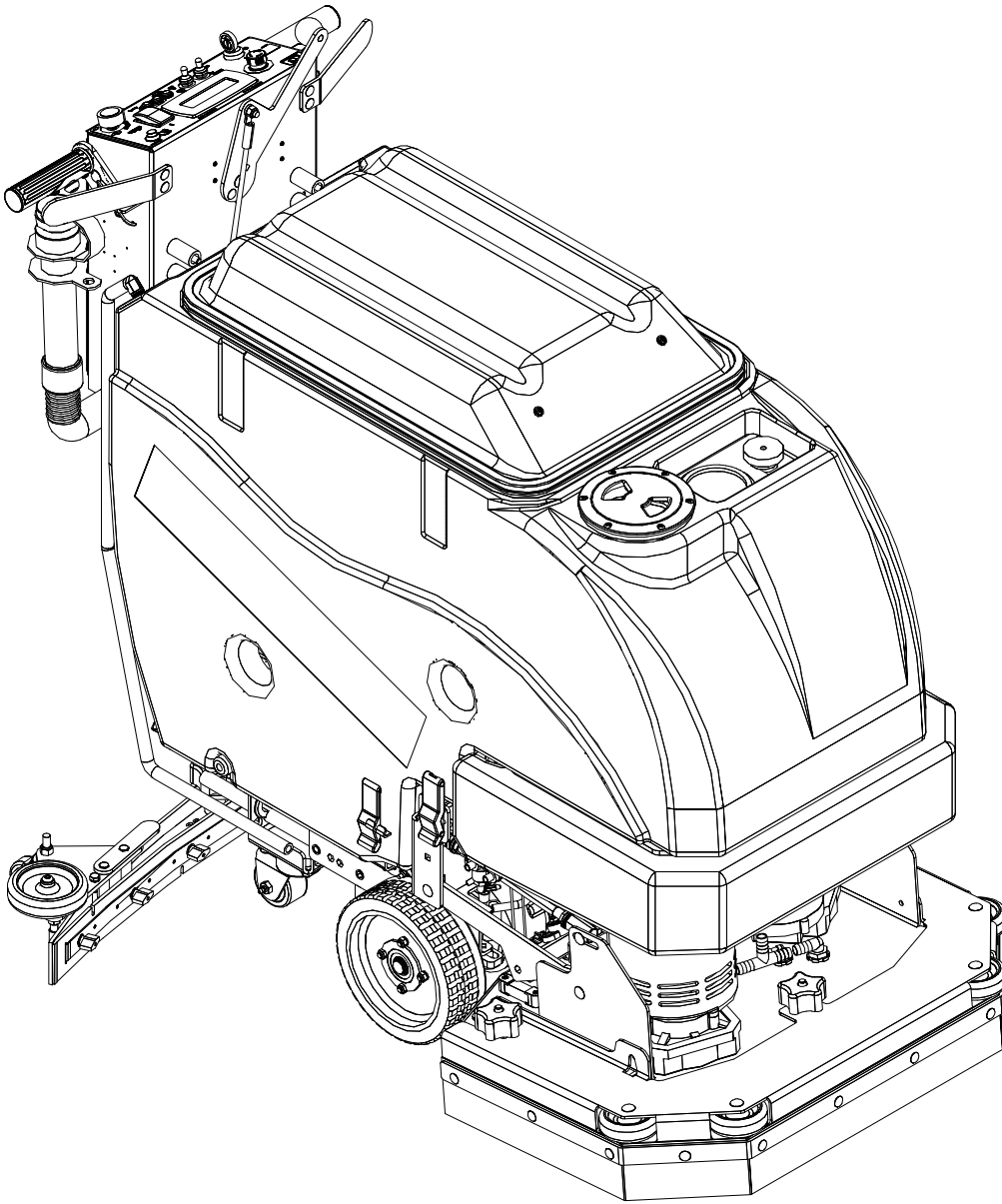


TOMCAT[®]

SPORT

Parts Manual (EN)



Read Operation Instructions
before using the machine.



Read the Safety Messages
before using the machine.

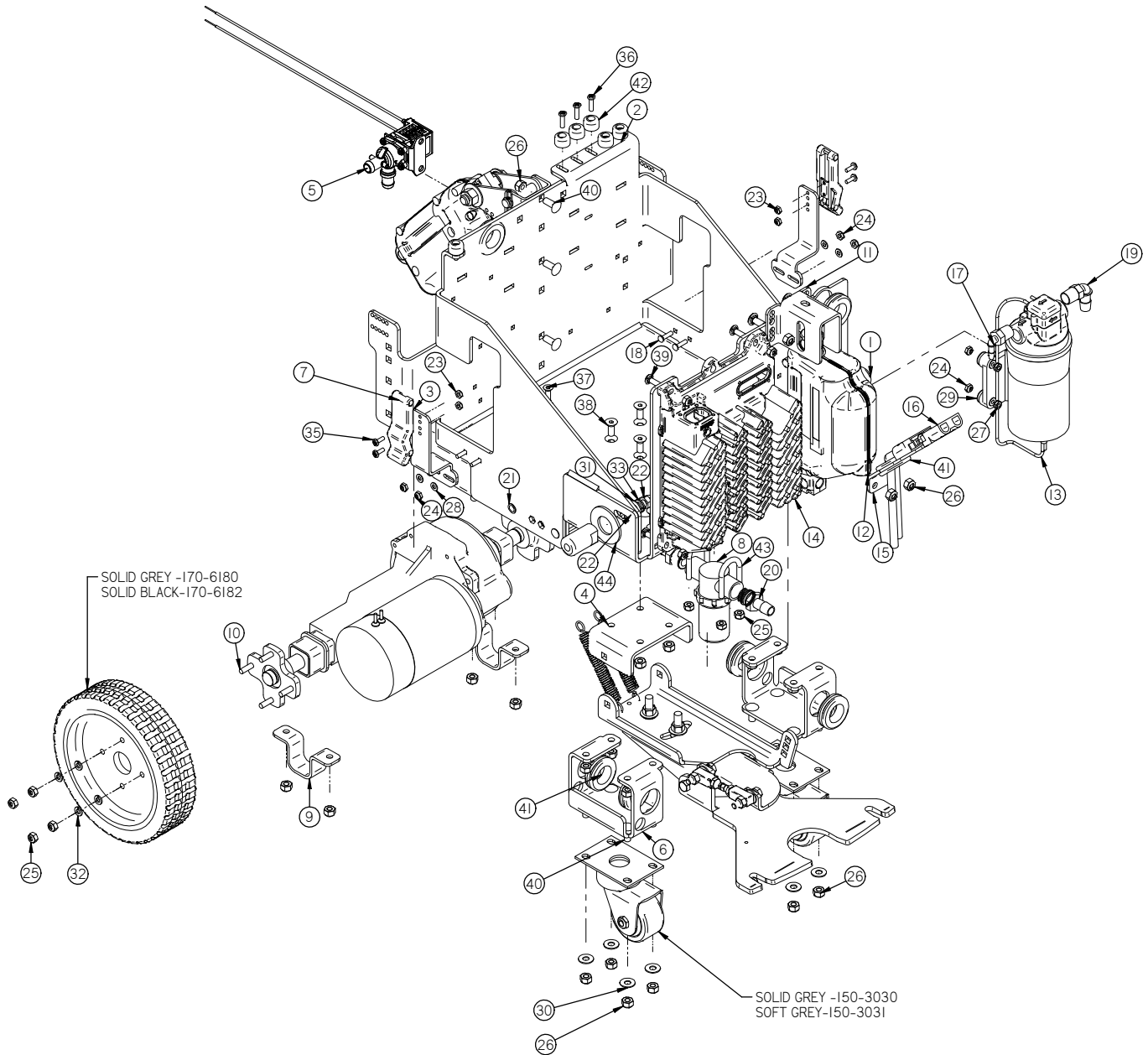
www.tomcatequip.com
1711 South Street
Racine, WI 53404 (USA)
(800) 450-9824 | (+001) 262-681-6470
© 2019 RPS Corporation

Scan With Phone for more Information

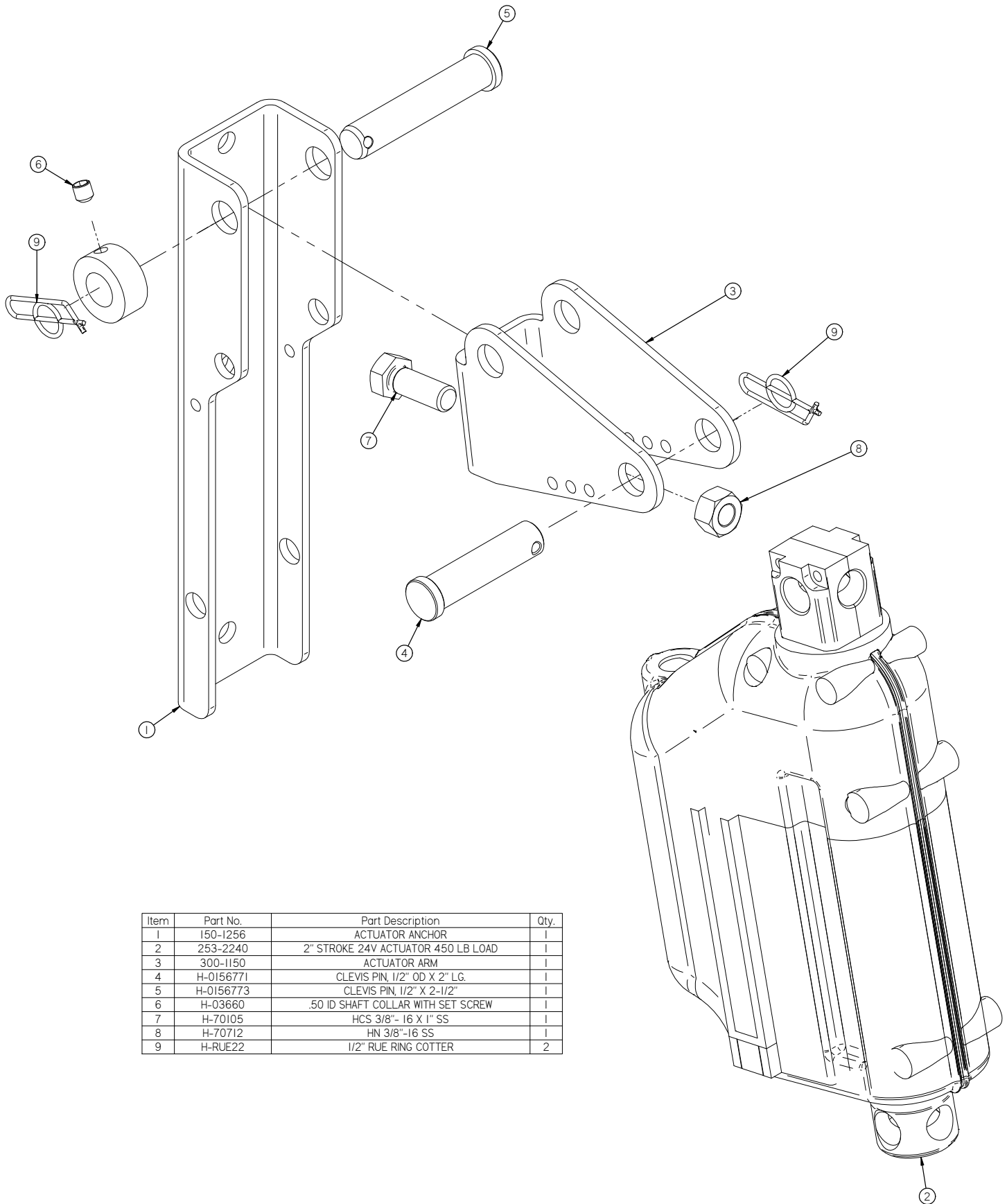


V19.231
TC-SPORT-P-EN

Frame Assembly.....	4
Actuator & Frame Support.....	5
Squeegee Drag Link.....	6
Squeegees	7
Batteries & Chargers	8
17 Inch Disk Decks.....	9
20 Inch Disk Decks.....	10
17 Inch - 20 Inch Disk Deck Shroud.....	11
26 Inch Disk Decks.....	12
26 Inch Disk Deck Shroud.....	13
25 Inch Cylindrical Decks	14
Cylindrical Door Assembly.....	15
20 Inch EDGE Decks.....	16
24 Inch EDGE Decks.....	17
EDGE Lifting Bracket.....	18
Tank Assembly 13g Sol / 15g Rec - Serial #93744 & Greater	19
Tank Assembly 10g Sol / 10g Rec - Serial #93743 & Less	20
Recovery Tank Dome Lid Assembly - Serial #93744 & Greater	21
Recovery Tank Dome Lid Assembly - Serial #93743 & Less.....	22
Drain Saver & Baffle Assembly - Serial #93744 & Greater.....	23
Drain Saver & Baffle Assembly - Serial #93743 & Less	24
Vacuum Bandeau Assembly - Serial #93744 & Greater.....	25
Central Command Assembly - Serial #97255 & Greater	26
Central Command Assembly - Serial #97254 & Less.....	27
Central Command Assembly - Serial #97254 & Less.....	28
Central Command Handlebar Assembly - Serial #97254 & Less..	29
ZerO3 Onboard Option Assembly	30
ZerO3 Onboard Option Plumbing.....	31
Common Wear Parts	32
Common Wear Parts	33
Tank Stickers	34
Central Command Stickers - Serial #97254 & Less	35
Central Command Stickers - Serial #97255 & Greater.....	36

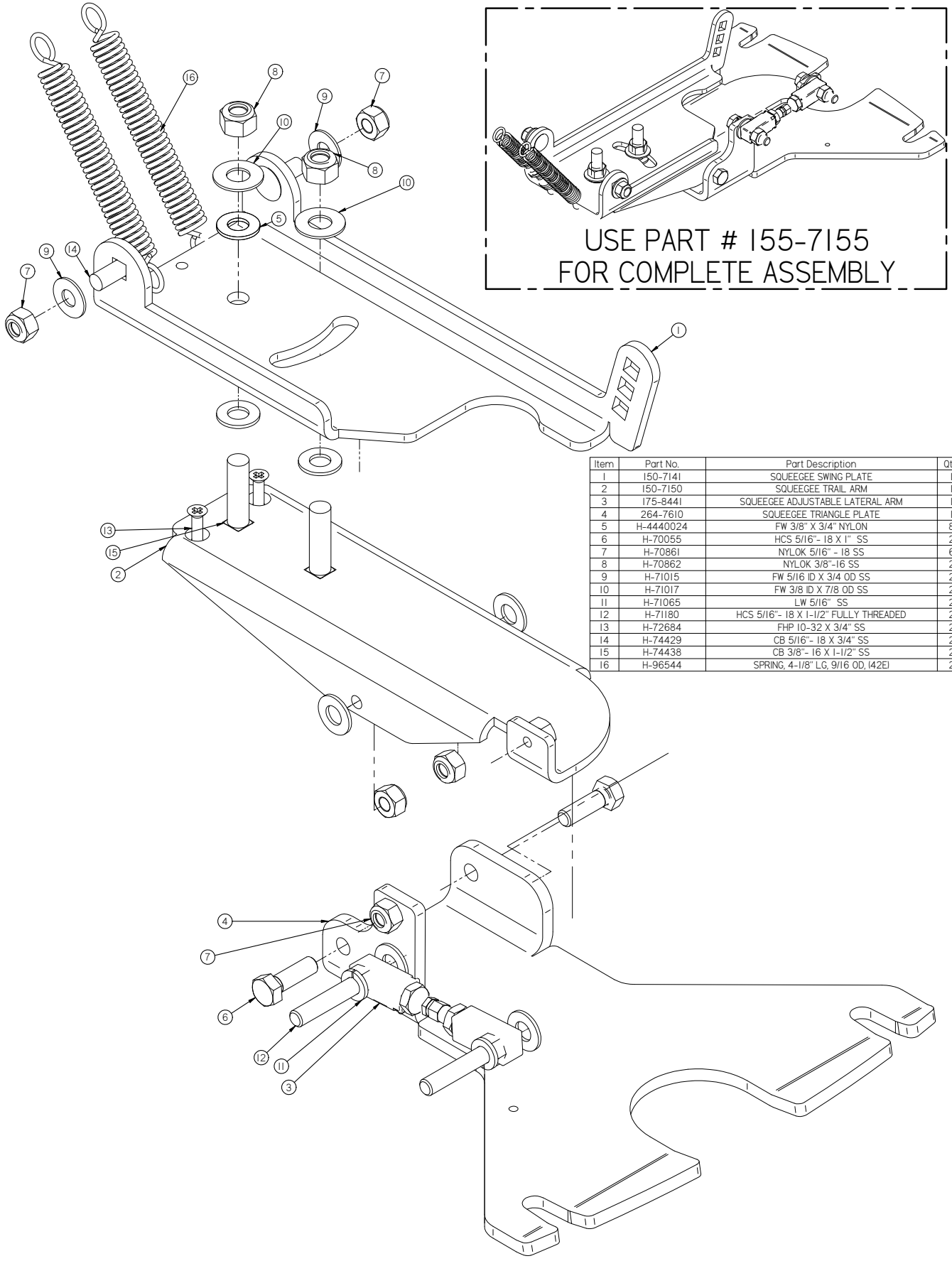


Item	Part No.	Part Description	Qty.	Item	Part No.	Part Description	Qty.
1	150-1061	BOSS	2	23	H-70856	NYLOK #8-32 SS	4
2	150-1106	SPORT FRAME	1	24	H-70858	NYLOK #10-32 SS	15
3	150-1123	TANK LATCH	2	25	H-70860	NYLOK 1/4" - 20 SS	17
4	150-1380	SQUEEGEE DRAG BRACKET	1	26	H-70861	NYLOK 5/16" - 18 SS	30
5	150-4500	24V VALVE	1	27	H-70923	KN #10-32 SS	10
6	150-5010	CASTER MOUNT	2	28	H-71009	FW #10 SS	4
7	170-1240	LATCH	2	29	H-71010	FW #10 ID X 11/16 OD SS	2
8	175-9135	INLINE FILTER W/BLACK 40 MESH SCREEN	1	30	H-71015	FW 5/16 ID X 3/4 OD SS	6
9	21-1010	AXLE MOUNT	2	31	H-71017	FW 3/8 ID X 7/8 OD SS	2
10	21-3009	TRANSAXLE	1	32	H-71063	LW 1/4" SS	4
11	253-1099	AUTO SQUEEGEE LIFT BRACKET	1	33	H-71067	LW 3/8" SS	2
12	253-2240	2" STROKE 24V ACTUATOR 450 LB LOAD	1	34	H-72393	PPH #6-32 X 2" MS S/S	2
13	253-8910	PUMP, WATER JET	1	35	H-72398	PPH #8-32 X 1/2" S/S	4
14	264-2440	ONBOARD CHARGER	1	36	H-72416	PPHMS #10-32 X 3/4" S/S	6
15	264-9516	CHARGER CONECTOR BRACKET	1	37	H-73882	FHSCS 1/4" - 20 X 3/4" S/S	1
16	4-259	CONNECTOR, RED 50, HOUSING ONLY	2	38	H-73907	FHSCS 5/16" - 18 X 3/4" SS	12
17	400-1225	.375 NPT X .25 BARB X 90 DEG	1	39	H-74419	CB 1/4" - 20 X .75" SS	4
18	H-0172520	CB #10-32 X 3/4" SS	4	40	H-74429	CB 5/16" - 18 X 3/4" SS	19
19	H-04763	ELBOW, 90 DEG X 3/8" MNPT X 1/2" BARB, NYLON	1	41	H-9307K74	GROMMET, 1" ID X 1-3/4" OD BUNA-N	7
20	H-04788	.50 NPT X .50 BARB	2	42	H-9540	RUBBER BUMPER, 25/32"	6
21	H-250HCN	HCN 1/4"-20	4	43	M-3043T13	1/4"-20 X 1.0" U-BOLT	2
22	H-70109	HCS 3/8" - 16 X 1-1/2" SS	2	44	M-90133A440	3/8 ID X 5/8 OD RUBBER WASHER	2



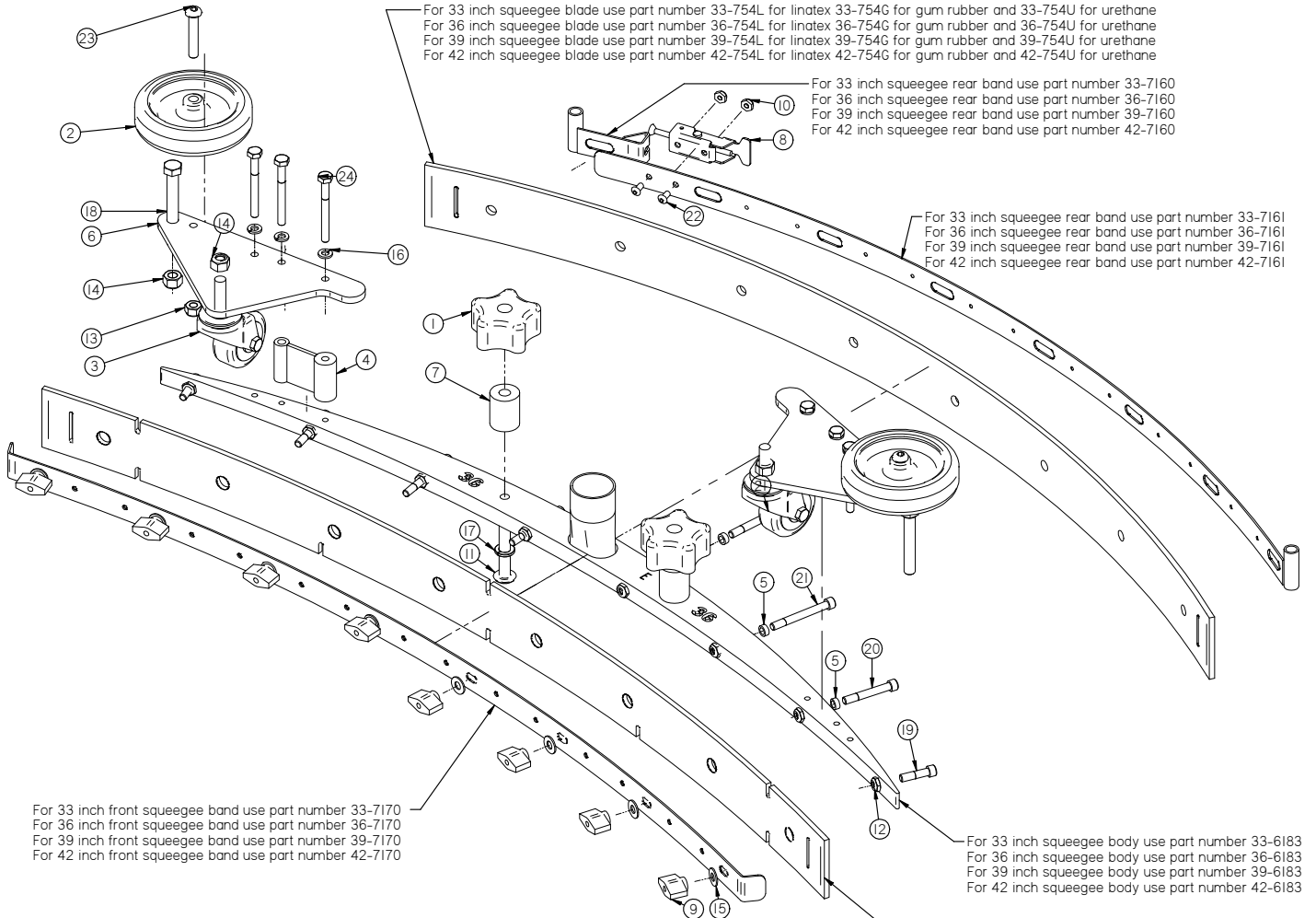
Item	Part No.	Part Description	Qty.
1	I50-1256	ACTUATOR ANCHOR	1
2	253-2240	2" STROKE 24V ACTUATOR 450 LB LOAD	1
3	300-1150	ACTUATOR ARM	1
4	H-0156771	CLEVIS PIN, 1/2" OD X 2" LG.	1
5	H-0156773	CLEVIS PIN, 1/2" X 2-1/2"	1
6	H-03660	.50 ID SHAFT COLLAR WITH SET SCREW	1
7	H-70105	HCS 3/8"- 16 X 1" SS	1
8	H-70712	HN 3/8"-16 SS	1
9	H-RUE22	1/2" RUE RING COTTER	2

Squeegee Drag Link

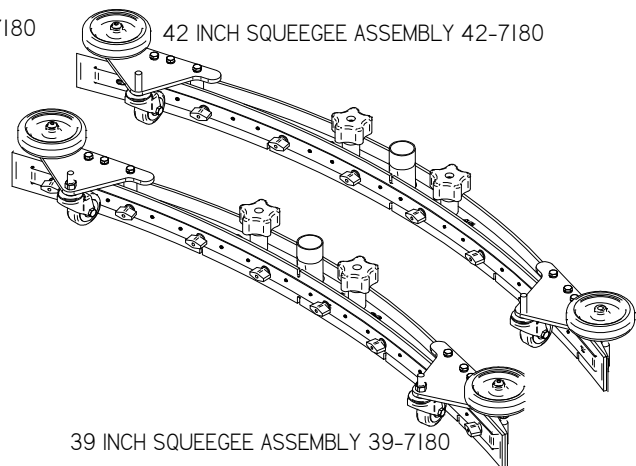
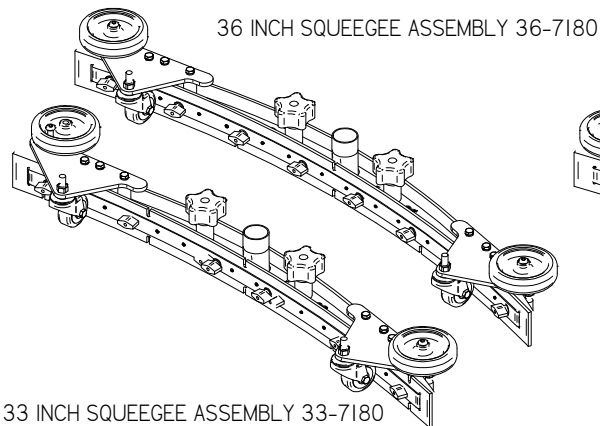


Item	Part No.	Part Description	Qty.
1	I50-7141	SQUEEGEE SWING PLATE	1
2	I50-7150	SQUEEGEE TRAIL ARM	1
3	I75-8441	SQUEEGEE ADJUSTABLE LATERAL ARM	1
4	264-7610	SQUEEGEE TRIANGLE PLATE	1
5	H-4440024	FW 3/8" X 3/4" NYLON	8
6	H-70055	HCS 5/16" - 18 X 1" SS	2
7	H-70861	NYLOK 5/16" - 18 SS	6
8	H-70862	NYLOK 3/8" - 16 SS	2
9	H-71015	FW 5/16 ID X 3/4 OD SS	2
10	H-71017	FW 3/8 ID X 7/8 OD SS	2
11	H-71065	LW 5/16" SS	2
12	H-71180	HCS 5/16" - 18 X 1-1/2" FULLY THREADED	2
13	H-72684	FHP 10-32 X 3/4" SS	2
14	H-74429	CB 5/16" - 18 X 3/4" SS	2
15	H-74438	CB 3/8" - 16 X 1-1/2" SS	2
16	H-96544	SPRING, 4-1/8" LG, 9/16 OD, 142EI	2

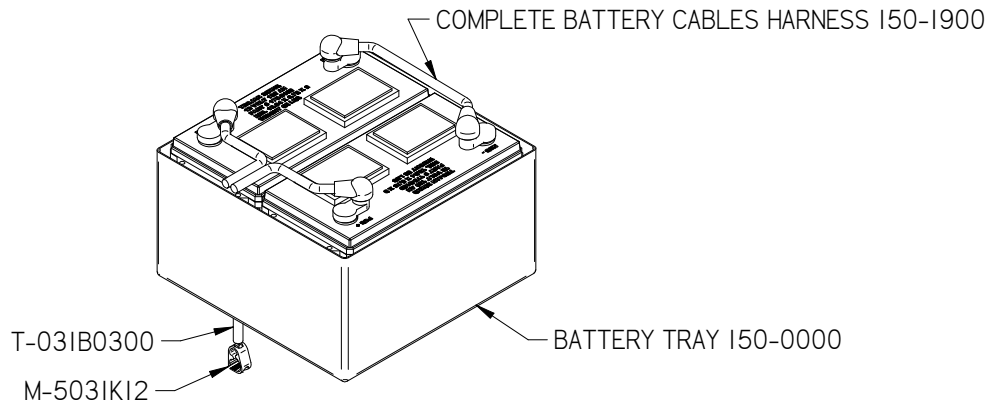
Squeegees



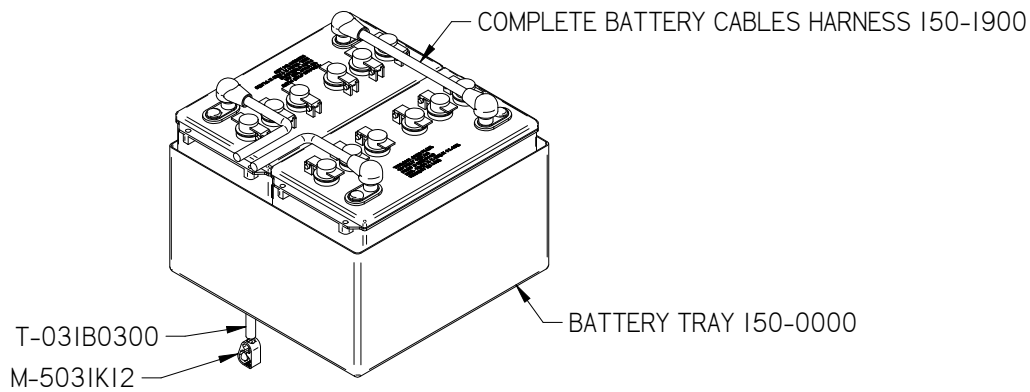
Item	Part No.	Part Description	Qty.	Item	Part No.	Part Description	Qty.
1	150-5786	STAR KNOB, 3/8-16 THREAD	2	13	H-70861	NYLOK 5/16" - 18 SS	2
2	150-7600	4" SIDE WHEEL (GREY)	2	14	H-70862	NYLOK 3/8"-16 SS	4
3	253-7570	CASTER	2	15	H-71013	FW 1/4 ID X 5/8 OD SS	8
4	36-0007	BAND BRACKET HOLDER	2	16	H-71063	LW 1/4" SS	6
5	36-2211	SPACER 1/2 OD X 5/32" LG X.25 ID	6	17	H-71067	LW 3/8" SS	2
6	36-7183	SQUEEGEE CASTER BRACKET	2	18	H-71191	HCS 3/8"- 16 X 3" SS	2
7	36-8460	STANDOFF, 1.5"	2	19	H-73462	SHCS 1/4-20 X 1.0 SS	2
8	370-0124	LATCH	1	20	H-73465	SHCS 1/4-20 X 1.75 SS	2
9	5-418A	CLAMPING KNOB	8	21	H-73467	SHCS 1/4-20 X 2.25 SS	4
10	H-0129155	JNYL #10-32, 18-8 S/S	2	22	H-73742	BHSCS 10-32 X 3/8" SS	2
11	H-0171299	BHSCS 3/8"- 16 X 3" SS	2	23	H-73783	BHSCS 5/16-18 X 1.75	2
12	H-37020	JNYL 1/4" - 20	8	24	H-77013	HCS 1/4"- 20 X 2.5" SS	6



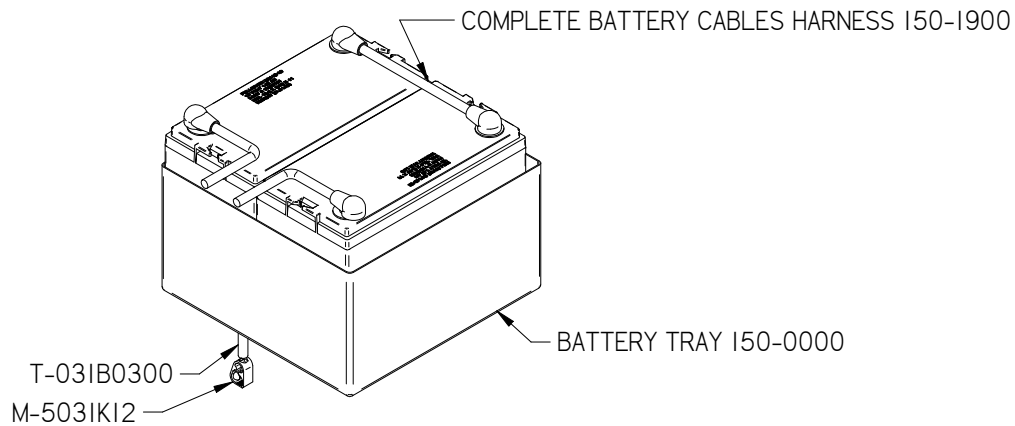
130 AH WET TROJANS 170-2109



150 AH WET TROJAN 200-2110



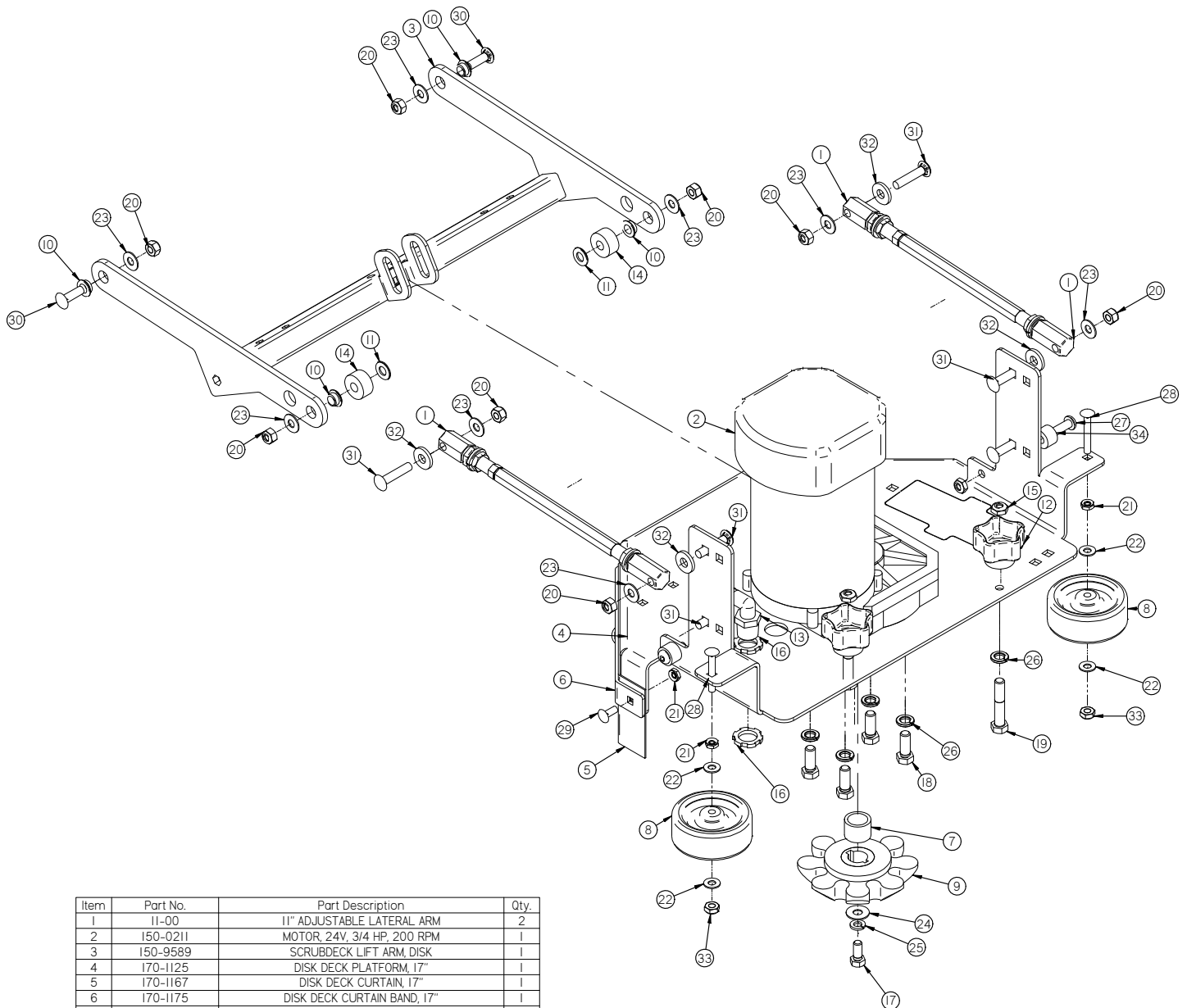
140 AH AGM FULLRIVER 170-2121



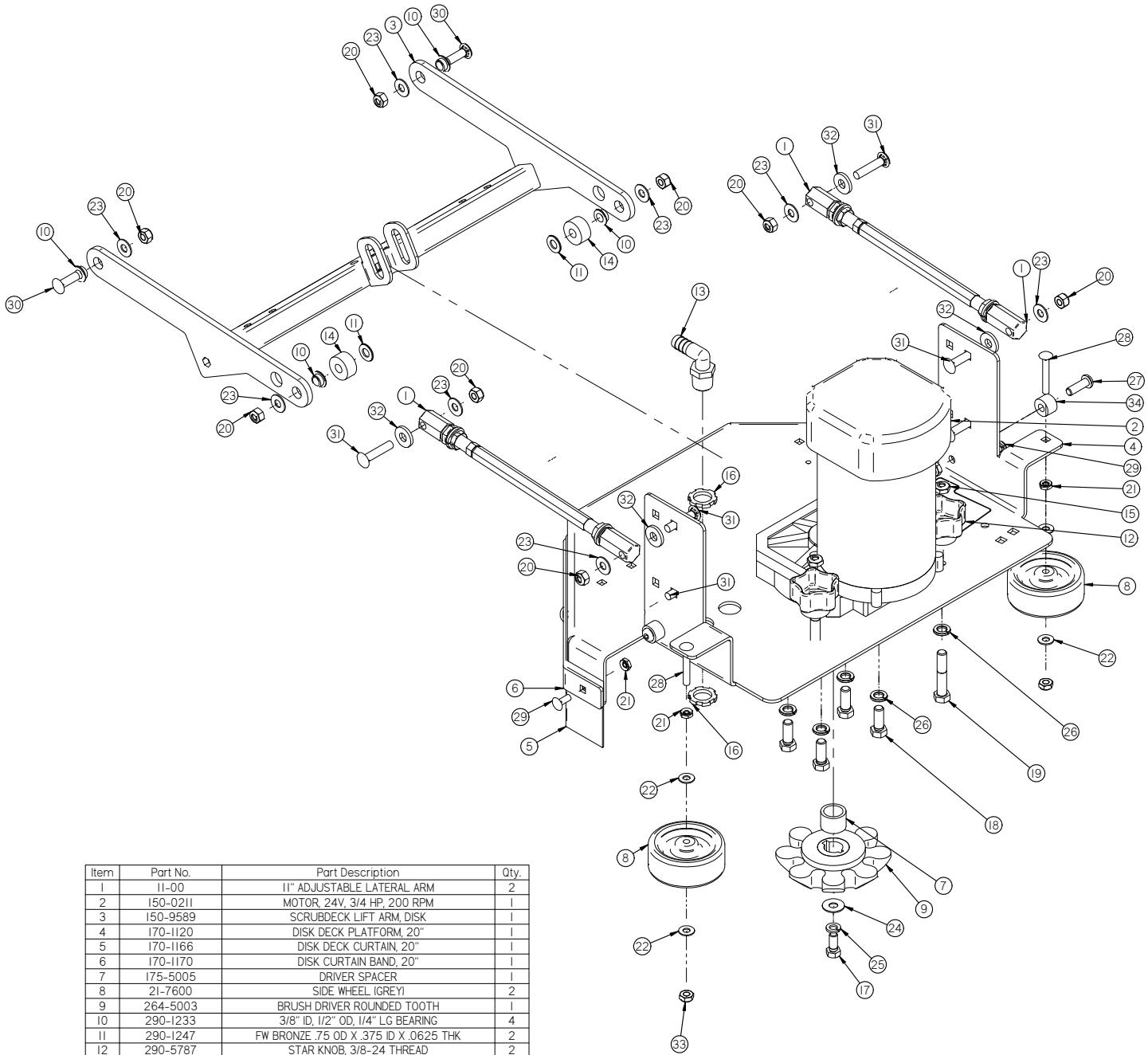
WHICH BATTERY CHARGER TO USE WITH BATTERY SELECTION

Battery Part Number & Description	Console Charger / North America	Onboard Charger / North America / International
170-2109 (12V / 130AH - WET)	170-2440	175-2460
200-2110 (12V / 150AH - WET)	170-2440	175-2460
170-2121 (12V / 140AH - AGM)	N/A	175-2460

17 Inch Disk Decks

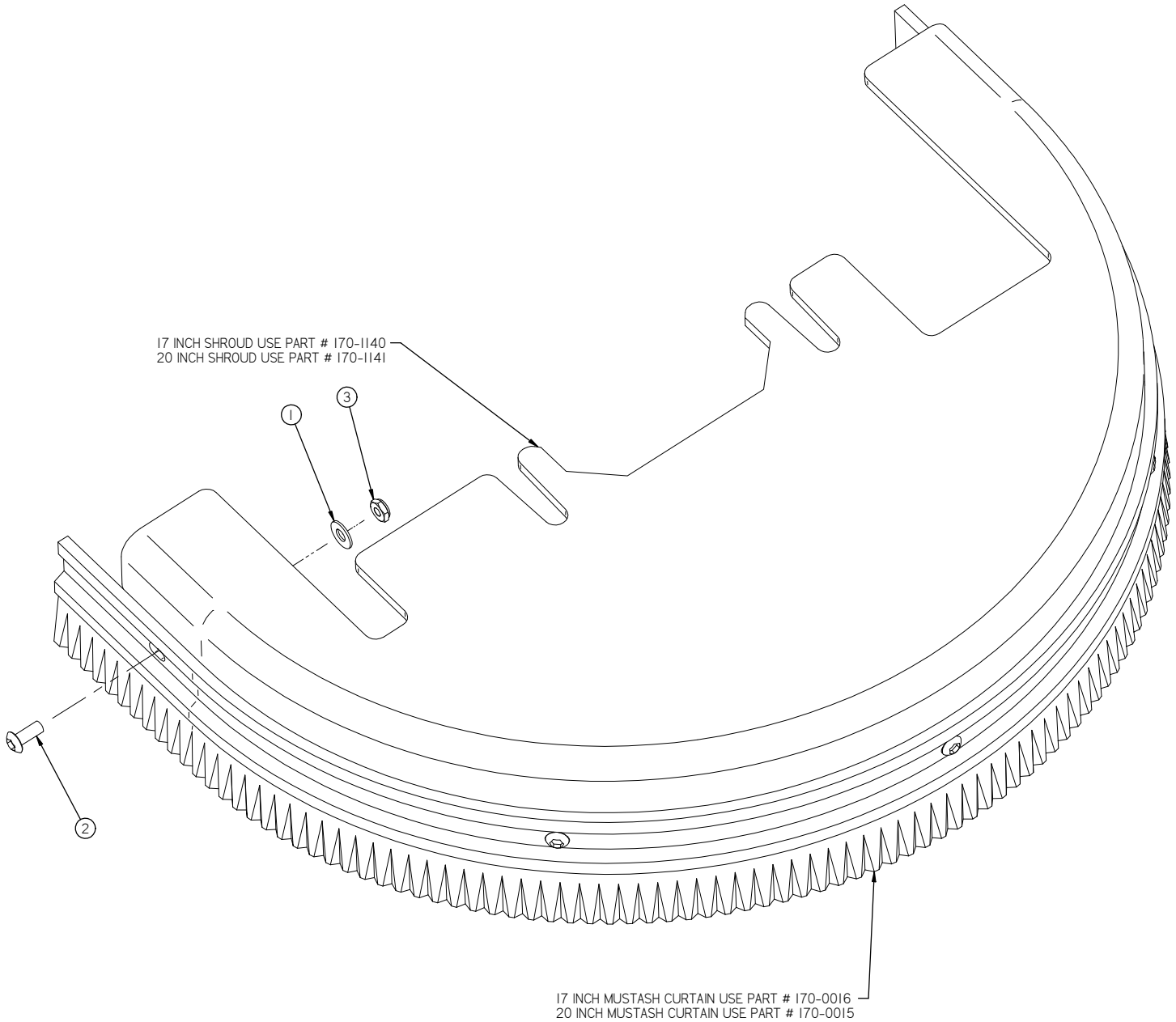


Item	Part No.	Part Description	Qty.
1	11-00	11" ADJUSTABLE LATERAL ARM	2
2	150-0211	MOTOR, 24V, 3/4 HP, 200 RPM	1
3	150-9589	SCRUBDECK LIFT ARM, DISK	1
4	170-1125	DISK DECK PLATFORM, 17"	1
5	170-1167	DISK DECK CURTAIN, 17"	1
6	170-1175	DISK DECK CURTAIN BAND, 17"	1
7	175-5005	DRIVER SPACER	1
8	21-7600	SIDE WHEEL (GREY)	2
9	264-5003	BRUSH DRIVER ROUNDED TOOTH	1
10	290-1233	3/8" ID, 1/2" OD, 1/4" LG BEARING	4
11	290-1247	FW BRONZE .75 OD X .375 ID X .0625 THK	2
12	290-5787	STAR KNOB, 3/8-24 THREAD	2
13	5-447	1/2 NPT X 1/2" BARB ELBOW	1
14	8-618	SPACER	2
15	H-0171004	JNYL 3/8-24 SS	2
16	H-07005	1/2" NPT LOCKNUT	4
17	H-70053	HCS 5/16"-18 X 3/4" SS	1
18	H-70105	HCS 3/8"-16 X 1" SS	4
19	H-70146	HCS 3/8"-24 X 2" SS	2
20	H-70861	NYLOK 5/16"-18 SS	8
21	H-70925	KN 1/4-20 S/S	7
22	H-71013	FW 1/4 ID X 5/8 OD SS	4
23	H-71015	FW 5/16 ID X 3/4 OD SS	8
24	H-71016	FW 5/16 ID X 7/8 OD SS	1
25	H-71065	LW 5/16" SS	1
26	H-71067	LW 3/8" SS	6
27	H-73780	BHSCS 5/16-18 X 1	2
28	H-74396	CB 1/4"-20 X 1-3/4" SS	2
29	H-74418	CB 1/4"-20 X 5/8" S/S	5
30	H-74430	CB 5/16"-18 X 1" SS	2
31	H-74432	CB 5/16"-18 X 1-1/2" SS	6
32	H-98025	FW 3/8" GRADE 8	4
33	H-NJ05C	JNYL 5/16"-18 SS	4
34	M-92825A201	.325" ID X 3/4" OD X 1/2" LDPE SPACER	2

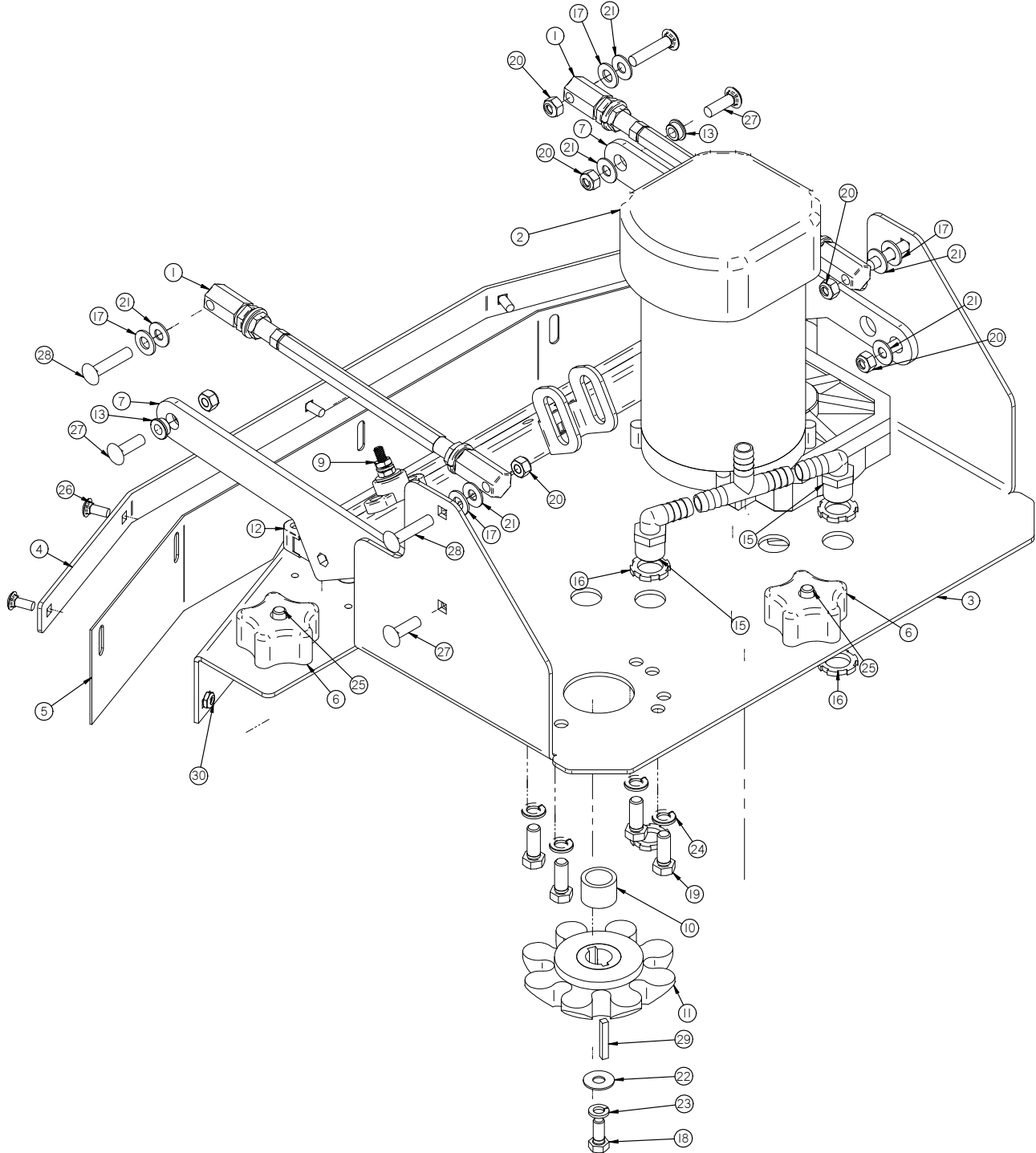


Item	Part No.	Part Description	Qty.
1	11-00	11" ADJUSTABLE LATERAL ARM	2
2	150-0211	MOTOR, 24V, 3/4 HP, 200 RPM	1
3	150-9589	SCRUBDECK LIFT ARM, DISK	1
4	170-1120	DISK DECK PLATFORM, 20"	1
5	170-1166	DISK DECK CURTAIN, 20"	1
6	170-1170	DISK CURTAIN BAND, 20"	1
7	175-5005	DRIVER SPACER	1
8	21-7600	SIDE WHEEL (GREY)	2
9	264-5003	BRUSH DRIVER ROUNDED TOOTH	1
10	290-1233	3/8" ID, 1/2" OD, 1/4" LG BEARING	4
11	290-1247	FW BRONZE .75 OD X .375 ID X .0625 THK	2
12	290-5787	STAR KNOB, 3/8-24 THREAD	2
13	5-447	1/2 NPT X 1/2" BARB ELBOW	1
14	8-618	SPACER	2
15	H-0171004	JNYL 3/8- 24 SS	2
16	H-07005	1/2" NPT LOCKNUT	4
17	H-70053	HCS 5/16"- 18 X 3/4" SS	1
18	H-70105	HCS 3/8"- 16 X 1" SS	4
19	H-70146	HCS 3/8"- 24 X 2" SS	2
20	H-70861	NYLOK 5/16" - 18 SS	8
21	H-70925	KN 1/4-20 S/S	7
22	H-71013	FW 1/4 ID X 5/8 OD SS	4
23	H-71015	FW 5/16 ID X 3/4 OD SS	8
24	H-71016	FW 5/16 ID X 7/8 OD SS	1
25	H-71065	LW 5/16" SS	1
26	H-71067	LW 3/8" SS	6
27	H-73780	BHSCS 5/16-18 X 1	2
28	H-74396	CB 1/4"- 20 X 1-3/4" SS	2
29	H-74418	CB 1/4"- 20 X 5/8" S/S	5
30	H-74430	CB 5/16"- 18 X 1" SS	2
31	H-74432	CB 5/16"- 18 X 1-1/2" SS	6
32	H-98025	FW 3/8" GRADE 8	4
33	H-NJ05C	JNYL 5/16"- 18 SS	4
34	M-92825A201	.325" ID X 3/4" OD X 1/2" LDPE SPACER	2

17 Inch - 20 Inch Disk Deck Shroud

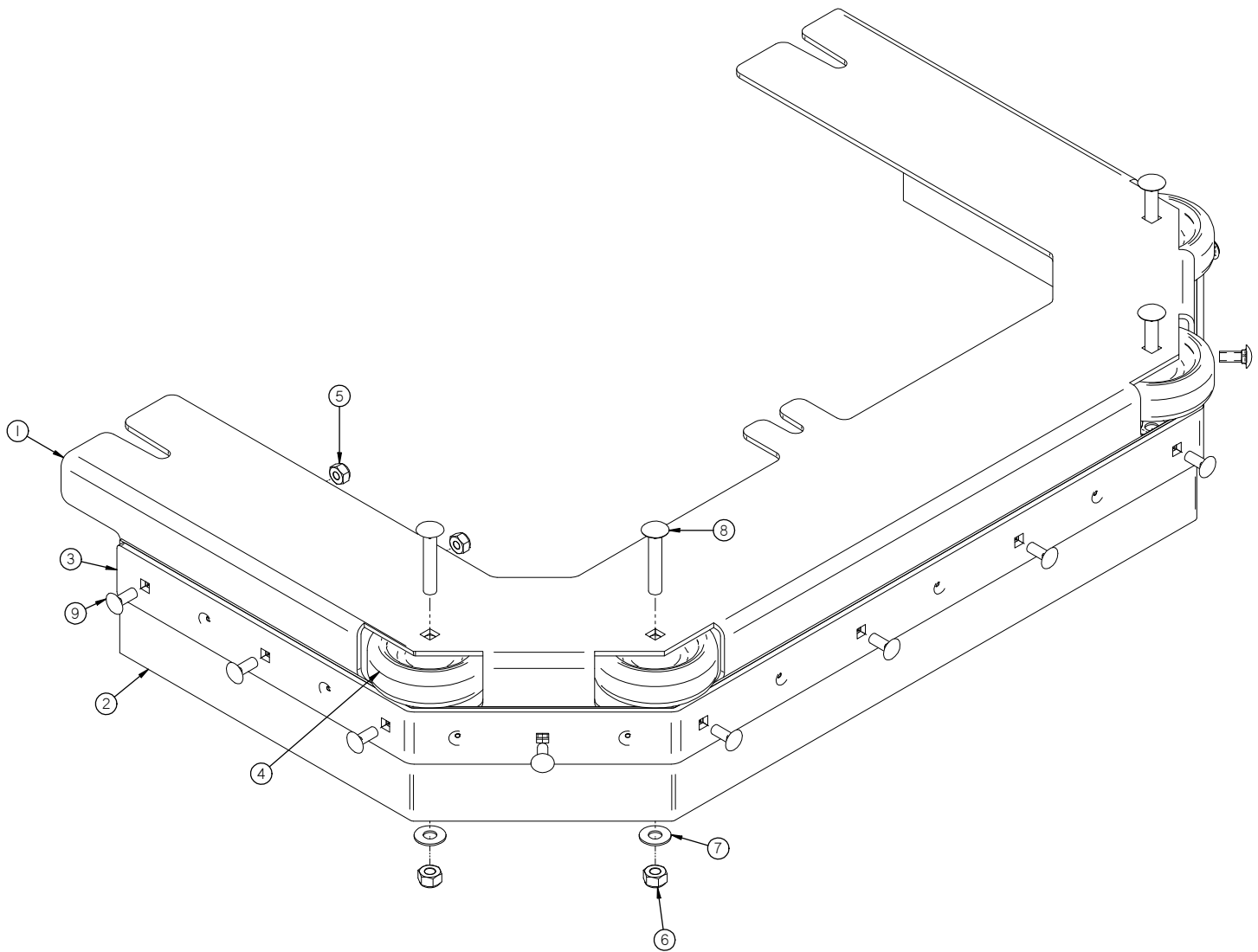


Item	Part No.	Part Description	Qty.
1	H-71013	FW 1/4 ID X 5/8 OD SS	5
2	H-73753	BHSCS 1/4 - 20 X 5/8" SS	5
3	H-NJ04C	JNYL 1/4" - 20 SS	5

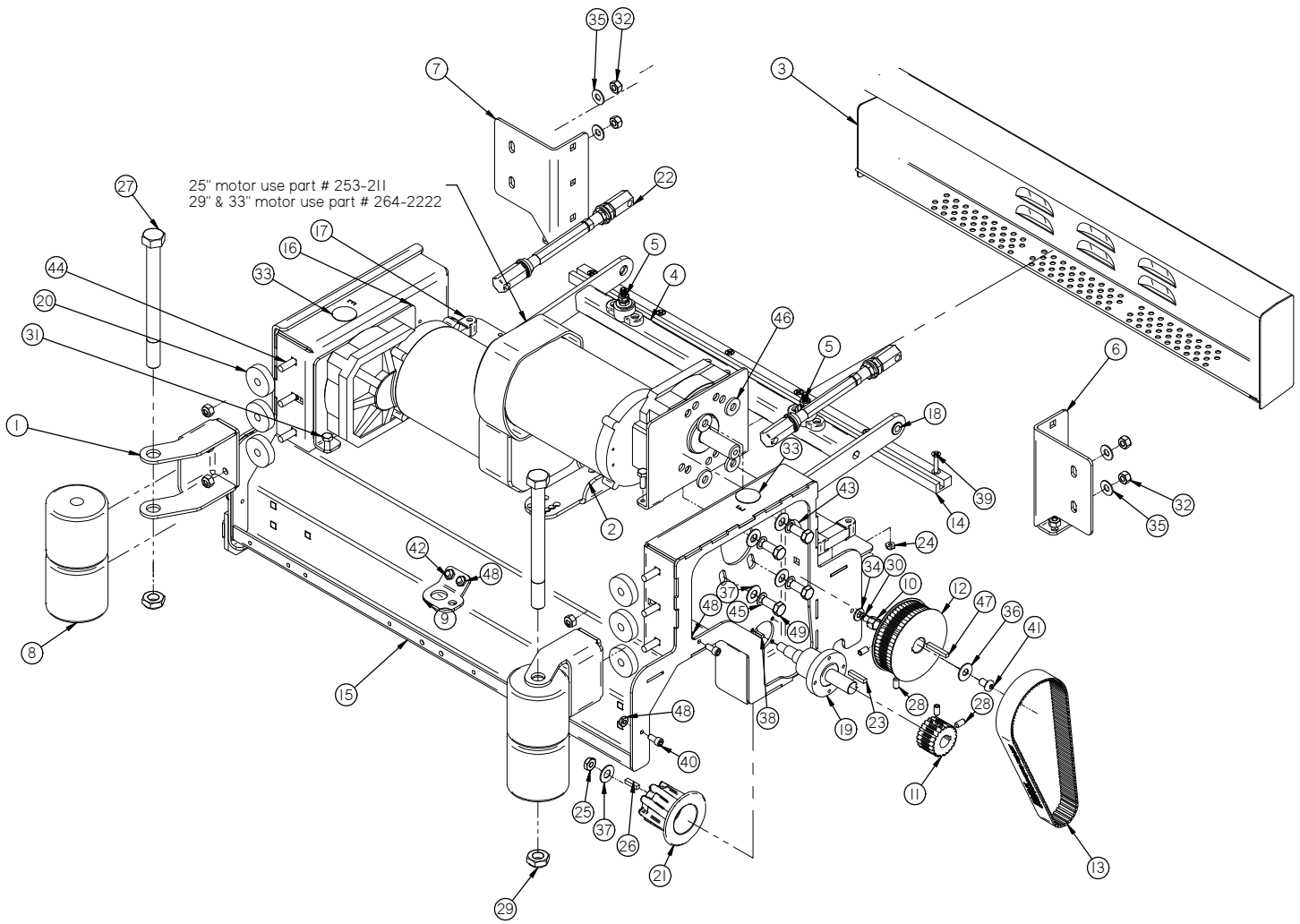


Item	Part No.	Part Description	Qty.	Item	Part No.	Part Description	Qty.
1	11-00	11" ADJUSTABLE LATERAL ARM	2	16	H-07005	1/2" NPT LOCKNUT	6
2	150-0211	MOTOR, 24V, 3/4 HP, 200 RPM	2	17	H-4440024	FW 3/8" X 3/4" NYLON	4
3	150-0402	DISK DECK PLATFORM, 26"	1	18	H-70053	HCS 5/16"- 18 X 3/4" SS	2
4	150-1154	CURTAIN BAND, 26"	1	19	H-70105	HCS 3/8"- 16 X 1" SS	8
5	150-1163	DISK DECK CURTAIN, 26"	1	20	H-70861	NYLOK 5/16" - 18 SS	8
6	150-5786	STAR KNOB, 3/8-16 THREAD	3	21	H-71015	FW 5/16 ID X 3/4 OD SS	8
7	150-9589	SCRUBDECK LIFT ARM, DISK	1	22	H-71016	FW 5/16 ID X 7/8 OD SS	2
8*	175-2700	NEG INSULATOR POST (BLACK)	1	23	H-71065	LW 5/16" SS	2
9	175-2710	POS INSULATOR POST (RED)	1	24	H-71067	LW 3/8" SS	11
10	175-5005	DRIVER SPACER	2	25	H-71190	HCS 3/8"- 16 X 2-1/2" SS (FULLY THREADED)	3
11	264-5003	BRUSH DRIVER ROUNDED TOOTH	2	26	H-74418	CB 1/4"- 20 X 5/8" S/S	5
12	300-4030	LEVEL	2	27	H-74430	CB 5/16"- 18 X 1" SS	4
13	370-1247	BUSHING 5/16 X 1/2 X 3/16	4	28	H-74432	CB 5/16"- 18 X 1-1/2" SS	4
14*	5-446	1/2 " PLASTIC BARB TEE	1	29	H-K14320	3/16" X 1 1/4" KEY	2
15	5-447	1/2 NPT X 1/2" BARB ELBOW	2	30	H-NJ04C	JNYL 1/4" - 20 SS	5

26 Inch Disk Deck Shroud

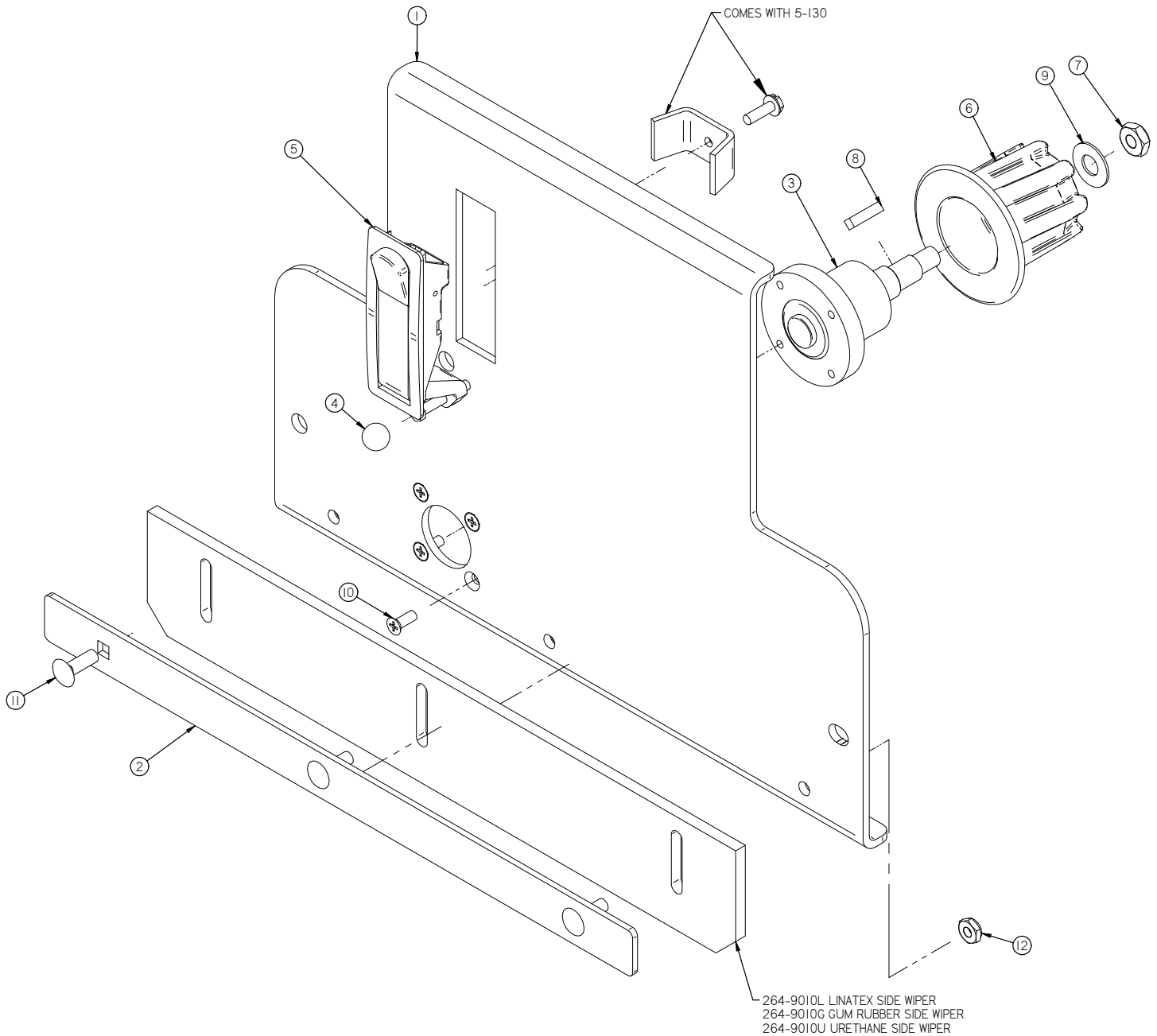


Item	Part No.	Part Description	Qty.
1	150-1110	26 INCH SHROUD	1
2	150-1164	26" SHROUD CURTAIN	1
3	150-1174	26" SHROUD CURTAIN BAND	1
4	150-7601	3" SIDE WHEEL (GREY)	4
5	H-70860	NYLOK 1/4"- 20 SS	12
6	H-70861	NYLOK 5/16" - 18 SS	4
7	H-71015	FW 5/16 ID X 3/4 OD SS	4
8	H-74401	CB 5/16"- 18 X 1-3/4" SS	4
9	H-74418	CB 1/4"- 20 X 5/8" S/S	12

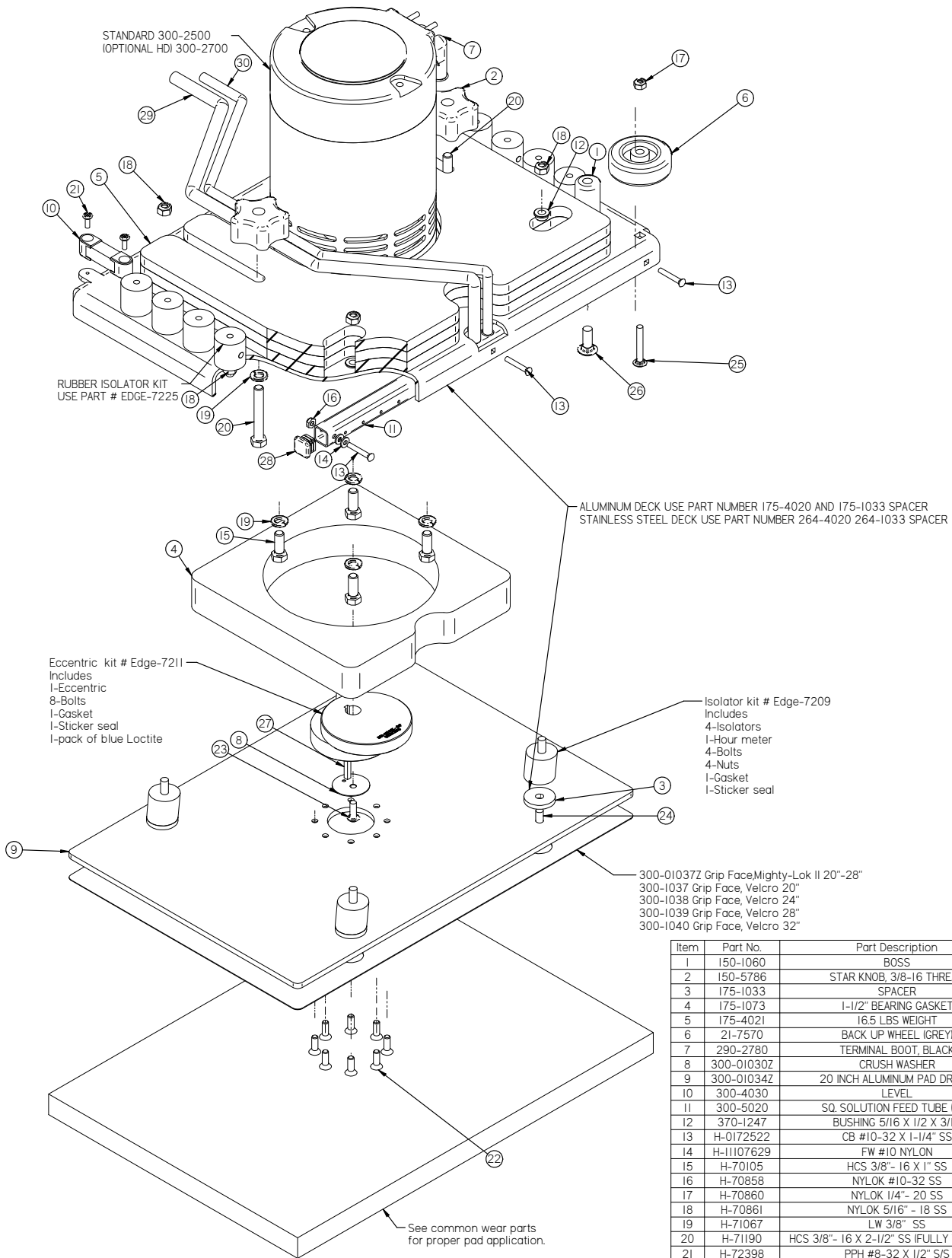


Item	Part No.	Part Description	Qty.	Item	Part No.	Part Description	Qty.
1	150-1129	ROLLER BRACKET	2	25	H-0171004	JNYL 3/8- 24 SS	2
2	150-9006	DECK LIFTING BRACKET	1	26	H-0953152	3/16" X 3/4" KEY	2
3	150-9050	25" HOPPER	1	27	H-13327	HB 5/8"- 11 X 7"	2
4	150-9590	SCRUBDECK LIFT ARM, CYLINDRICAL	1	28	H-25382	SETSCREW, KCP, 1/4"-20 X 1/2"	8
5	175-2700	NEG INSULATOR POST (BLACK)	2	29	H-37038	JNYL 5/8"- 11	2
6	175-9070	CYLINDRICAL LIFTING BRACKET, LH, 25"	1	30	H-66802	O-RING, 3/16" X 5/16" X #8 BUNA	2
7	175-9071	CYLINDRICAL LIFTING BRACKET, RH, 25"	1	31	H-70003	HCS 1/4"-20 X 3/4" SS	4
8	21-1127	ROLLER	4	32	H-70861	NYLOK 5/16" - 18 SS	14
9	253-9003	QUICK DISCONNECT BRACKET	1	33	H-70889	HOLE PLUG 7/8"	2
10	253-9024	THUMB SCREW	2	34	H-71013	FW 1/4 ID X 5/8 OD SS	2
11	264-8215	TIMING SPROCKET 26 TOOTH	2	35	H-71015	FW 5/16 ID X 3/4 OD SS	4
12	264-8225	TIMING SPROCKET 56 TOOTH	2	36	H-71016	FW 5/16 ID X 7/8 OD SS	2
13	264-8230	565-5M-25 HI-PERFORMANCE PD PLUS BELT	2	37	H-71017	FW 3/8 ID X 7/8 OD SS	10
14	264-8325	HOPPER RAIL 25"	1	38	H-72682	FHP #10-32 X 1/2" SS	8
15	264-9000	CYLINDRICAL BRUSHHEAD, 25"	1	39	H-72685	FHP 10-32 X 1" SS	6
16	264-9002	MOTOR ADJ BRACKET	2	40	H-73459	SHCS 1/4"-20 X 1/2 SS	3
17	300-4030	LEVEL	2	41	H-73777	BHSCS 5/16-18 X 1/2"	2
18	370-1247	BUSHING 5/16 X 1/2 X 3/16	4	42	H-74417	CB 1/4"- 20 X .5" SS	2
19	370-8240A	BEARING HOUSING/BEARING	2	43	H-74429	CB 5/16"- 18 X 3/4" SS	8
20	4-446	GROMMET-3/8 ID X 1-1/2 OD X .375	6	44	H-74430	CB 5/16"- 18 X 1" SS	6
21	600-8371	CYLINDRICAL DRIVER (HARDCOAT)	2	45	H-90895	WASHER, SERRATED BELLEVILLE, 3/8", S/S	8
22	8-00	8.00" ADJUSTABLE LATERAL ARM	2	46	H-98025	FW 3/8" GRADE 8	8
23	H-01125	3/16" X 1" KEY	2	47	H-K14320	3/16" X 1 1/4" KEY	2
24	H-0129155	JNYL #10-32, 18-8 S/S	6	48	H-NJ04C	JNYL 1/4" - 20 SS	5
				49	M-92865A214	HCS 3/8"-24 X 7/8" SS	8

Cylindrical Door Assembly

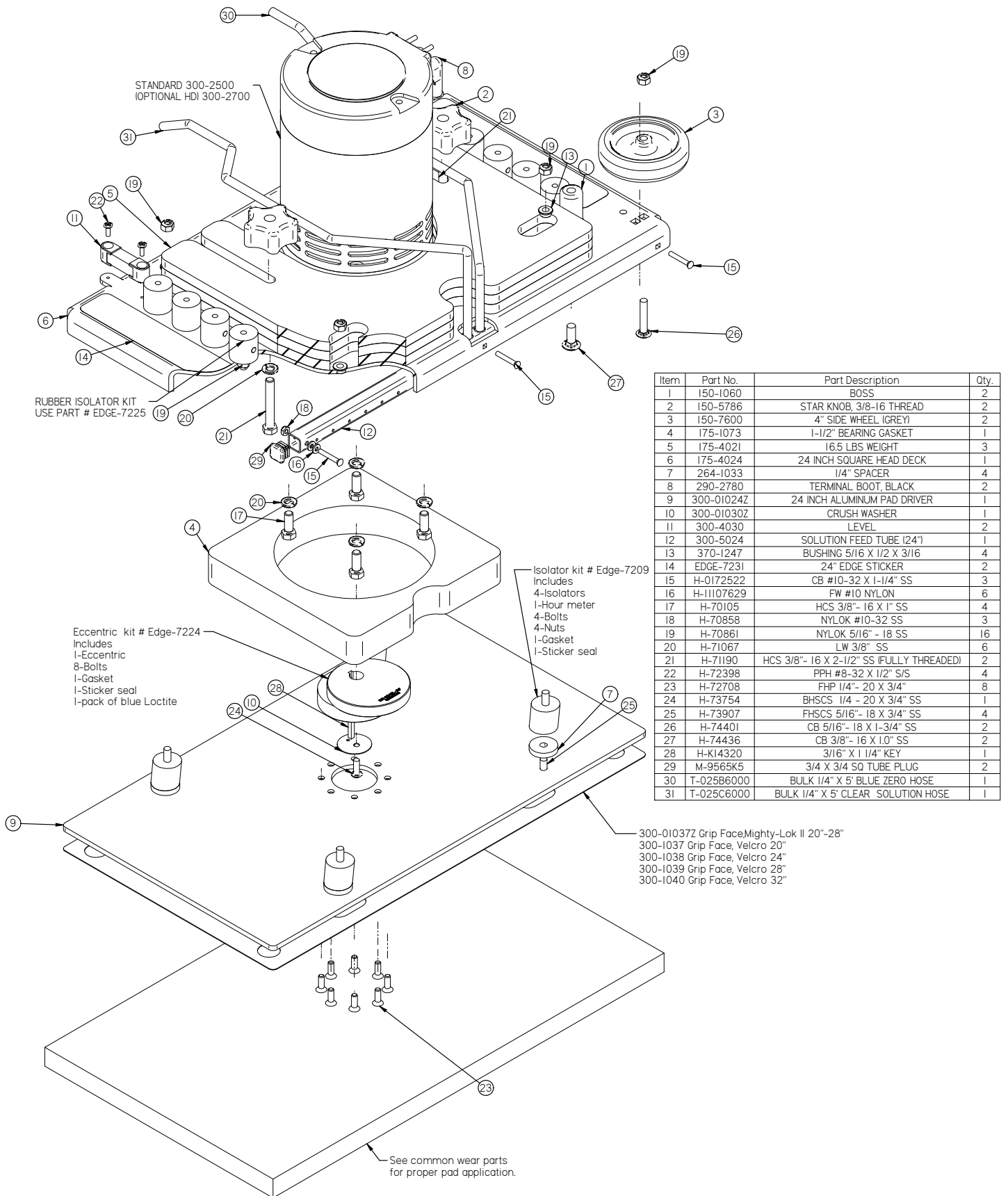


Item	Part No.	Part Description	Qty.
1	150-9022	DRIVE COVER	1
2	264-9015	WIPER BAND	1
3	370-8241A	IDLER DRIVE BEARING	1
4	5-100	GROMMET	1
5	5-130	DOOR LATCH	1
6	600-8371	CYLINDRICAL DRIVER (HARDCOAT)	1
7	H-0171004	JNYL 3/8" - 24 SS	1
8	H-0953152	3/16" X 3/4" KEY	1
9	H-71017	FW 3/8 ID X 7/8 OD SS	1
10	H-72682	FHP #10-32 X 1/2" SS	4
11	H-74419	CB 1/4" - 20 X .75" SS	3
12	H-NJ04C	JNYL 1/4" - 20 SS	3



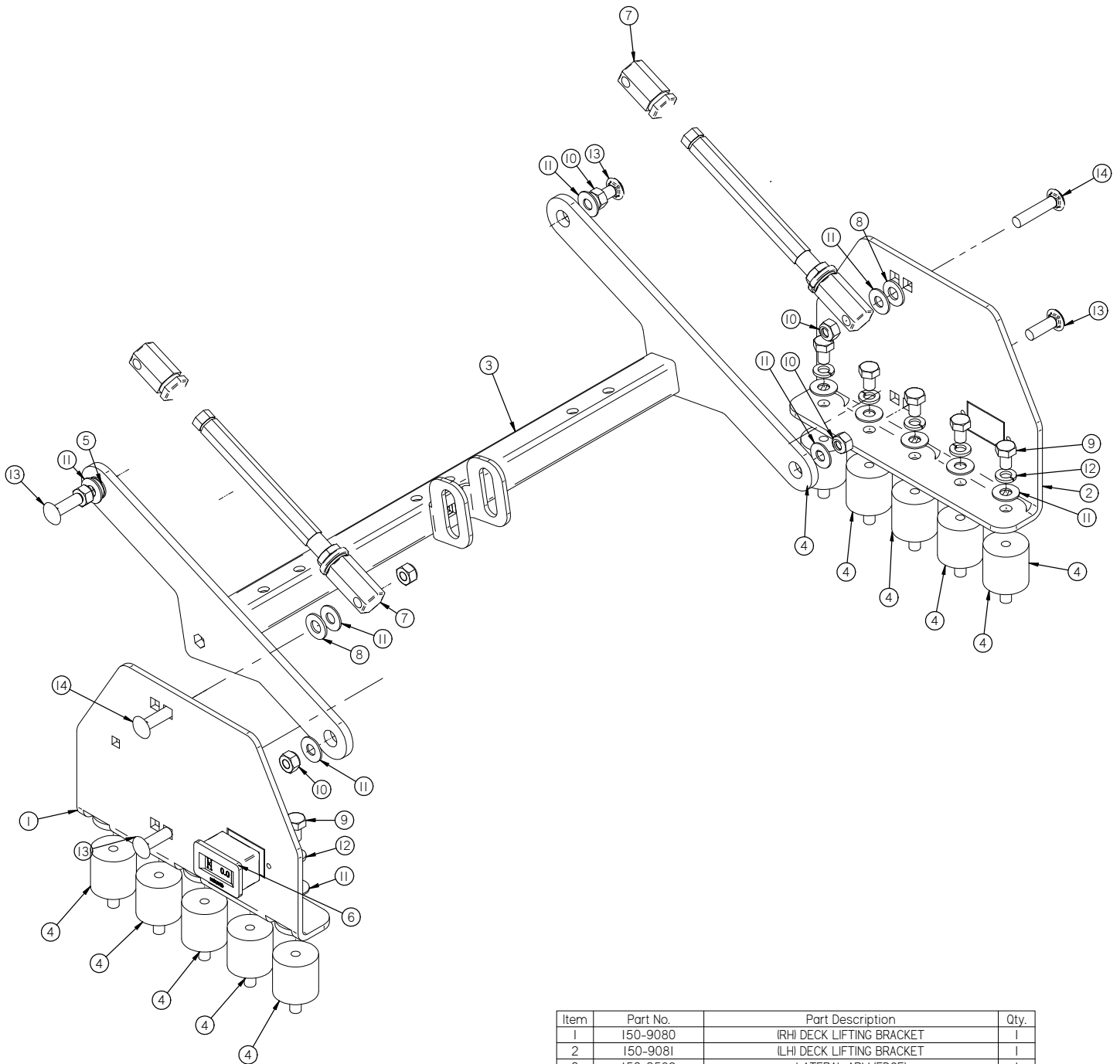
Item	Part No.	Part Description	Qty.
1	150-1060	BOSS	2
2	150-5786	STAR KNOB, 3/8-16 THREAD	2
3	175-1033	SPACER	4
4	175-1073	1-1/2" BEARING GASKET	1
5	175-4021	16.5 LBS WEIGHT	3
6	21-7570	BACK UP WHEEL (GREY)	2
7	290-2780	TERMINAL BOOT, BLACK	2
8	300-01030Z	CRUSH WASHER	1
9	300-01034Z	20 INCH ALUMINUM PAD DRIVER	1
10	300-4030	LEVEL	2
11	300-5020	SQ. SOLUTION FEED TUBE (20")	1
12	370-1247	BUSHING 5/16 X 1/2 X 3/16	4
13	H-0172522	CB #10-32 X 1-1/4" SS	3
14	H-11107629	FW #10 NYLON	6
15	H-70105	HCS 3/8"- 16 X 1" SS	4
16	H-70858	NYLOK #10-32 SS	3
17	H-70860	NYLOK 1/4"- 20 SS	2
18	H-70861	NYLOK 5/16"- 18 SS	14
19	H-71067	LW 3/8" SS	6
20	H-71190	HCS 3/8"- 16 X 2-1/2" SS (FULLY THREADED)	2
21	H-72398	PPH #8-32 X 1/2" S/S	4
22	H-72708	FHP 1/4"- 20 X 3/4"	8
23	H-73754	BHSCS 1/4 - 20 X 3/4" SS	1
24	H-73907	FHSCS 5/16"- 18 X 3/4" SS	4
25	H-74396	CB 1/4"- 20 X 1-3/4" SS	2
26	H-74436	CB 3/8"- 16 X 1.0" SS	2
27	H-K14320	3/16" X 1 1/4" KEY	1
28	M-9565K5	3/4 X 3/4 SQ TUBE PLUG	2
29	T-025CR2300	SOLUTION HOSE	1
30	T-375C1300	ZERO HOSE	1

24 Inch EDGE Decks



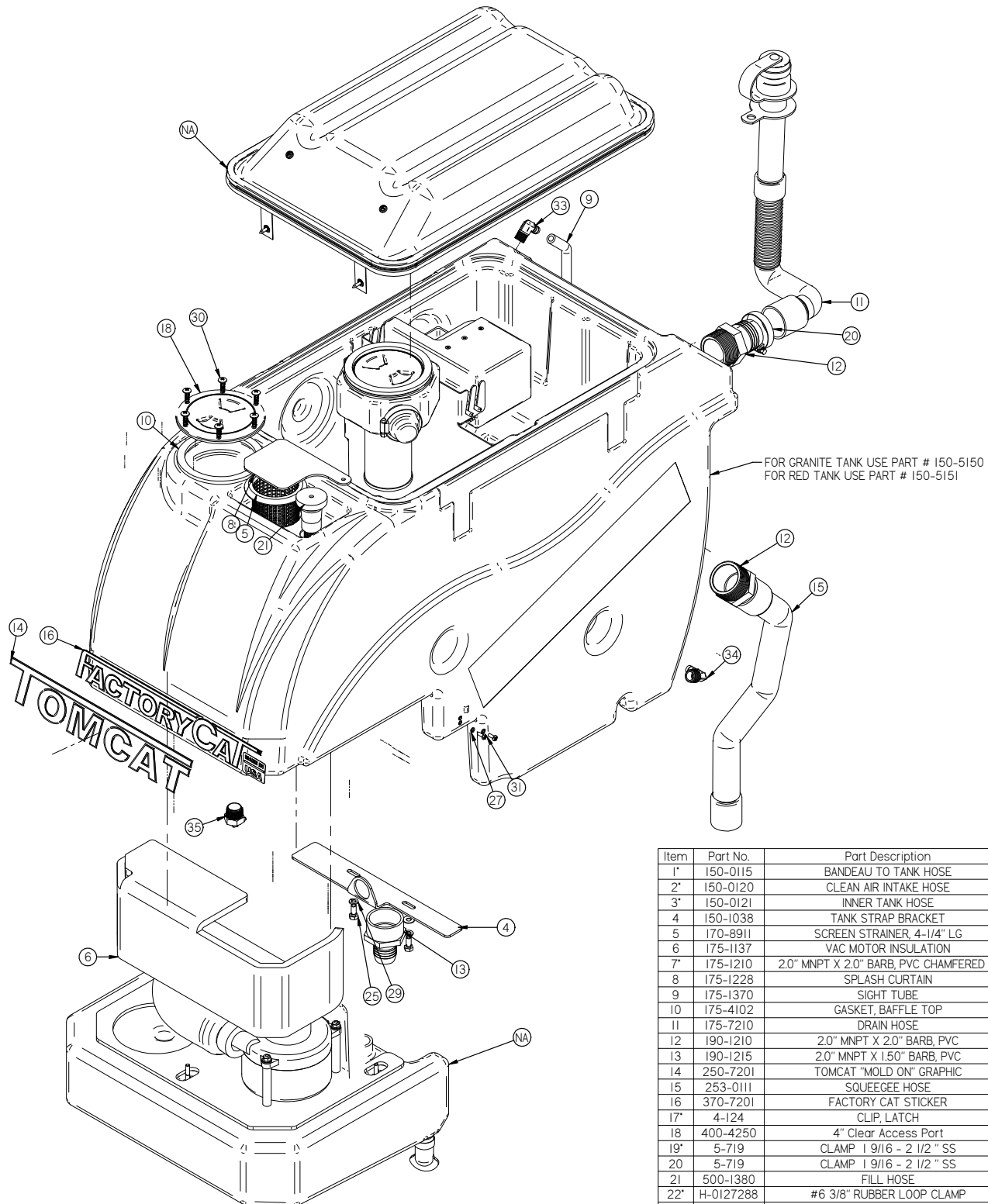
Item	Part No.	Part Description	Qty.
1	150-1060	BOSS	2
2	150-5786	STAR KNOB, 3/8-16 THREAD	2
3	150-7600	4" SIDE WHEEL (GREY)	2
4	175-1073	1-1/2" BEARING GASKET	1
5	175-4021	16.5 LBS WEIGHT	3
6	175-4024	24 INCH SQUARE HEAD DECK	1
7	264-1033	1/4" SPACER	4
8	290-2780	TERMINAL BOOT, BLACK	2
9	300-01024Z	24 INCH ALUMINUM PAD DRIVER	1
10	300-01030Z	CRUSH WASHER	1
11	300-4030	LEVEL	2
12	300-5024	SOLUTION FEED TUBE (24")	1
13	370-1247	BUSHING 5/16 X 1/2 X 3/16	4
14	EDGE-7231	24" EDGE STICKER	2
15	H-0172522	CB #10-32 X 1-1/4" SS	3
16	H-11107629	FW #10 NYLON	6
17	H-70105	HCS 3/8"- 16 X 1" SS	4
18	H-70858	NYLOK #10-32 SS	3
19	H-70861	NYLOK 5/16" - 18 SS	16
20	H-71067	LW 3/8" SS	6
21	H-71190	HCS 3/8"- 16 X 2-1/2" SS (FULLY THREADED)	2
22	H-72398	PPH #8-32 X 1/2" S/S	4
23	H-72708	FHP 1/4"- 20 X 3/4"	8
24	H-73754	BHSCS 1/4 - 20 X 3/4" SS	1
25	H-73907	FHSCS 5/16"- 18 X 3/4" SS	4
26	H-74401	CB 5/16"- 18 X 1-3/4" SS	2
27	H-74436	CB 3/8"- 16 X 1.0" SS	2
28	H-K14320	3/16" X 1 1/4" KEY	1
29	M-9565K5	3/4 X 3/4 SQ TUBE PLUG	2
30	T-025B6000	BULK 1/4" X 5' BLUE ZERO HOSE	1
31	T-025C6000	BULK 1/4" X 5' CLEAR SOLUTION HOSE	1

- 300-01037Z Grip FaceMighty-Lok II 20"-28"
- 300-1037 Grip Face, Velcro 20"
- 300-1038 Grip Face, Velcro 24"
- 300-1039 Grip Face, Velcro 28"
- 300-1040 Grip Face, Velcro 32"



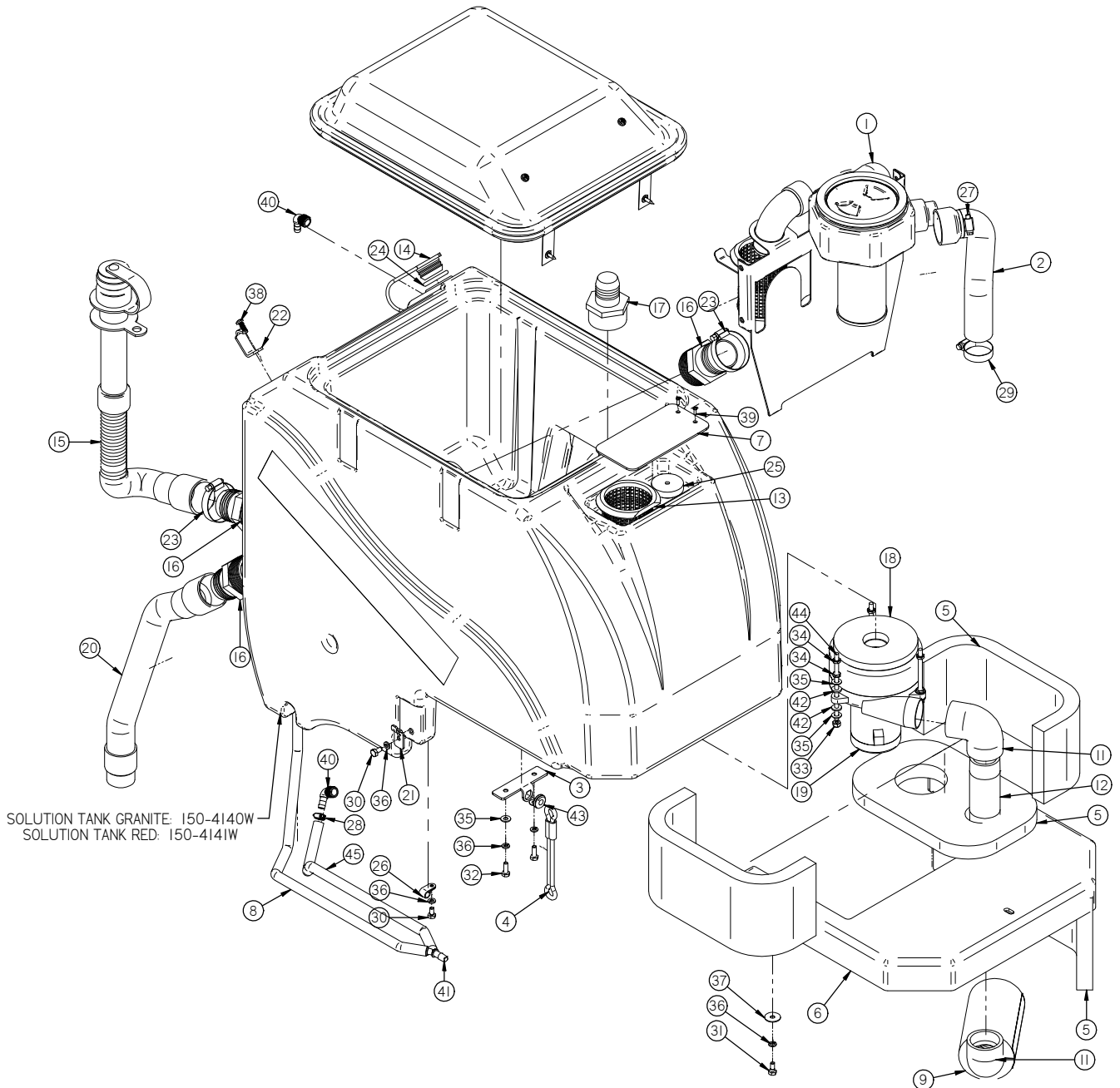
Item	Part No.	Part Description	Qty.
1	150-9080	IRHI DECK LIFTING BRACKET	1
2	150-9081	ILHI DECK LIFTING BRACKET	1
3	150-9582	LATERAL ARM (EDGE)	1
4	300-01032Z	RUBBER ISOLATOR	10
5	370-1247	BUSHING 5/16 X 1/2 X 3/16	4
6	8-262	HOUR METER	1
7	9-25	9.25" ADJUSTABLE LATERAL ARM	2
8	H-4440024	FW 3/8" X 3/4" NYLON	2
9	H-70051	HCS 5/16"- 18 X 1/2"	10
10	H-70861	NYLOK 5/16" - 18 SS	6
11	H-71015	FW 5/16 ID X 3/4 OD SS	16
12	H-71065	LW 5/16" SS	10
13	H-74430	CB 5/16"- 18 X 1" SS	4
14	H-74432	CB 5/16"- 18 X 1-1/2" SS	2

Tank Assembly 13g Sol / 15g Rec - Serial #93744 & Greater



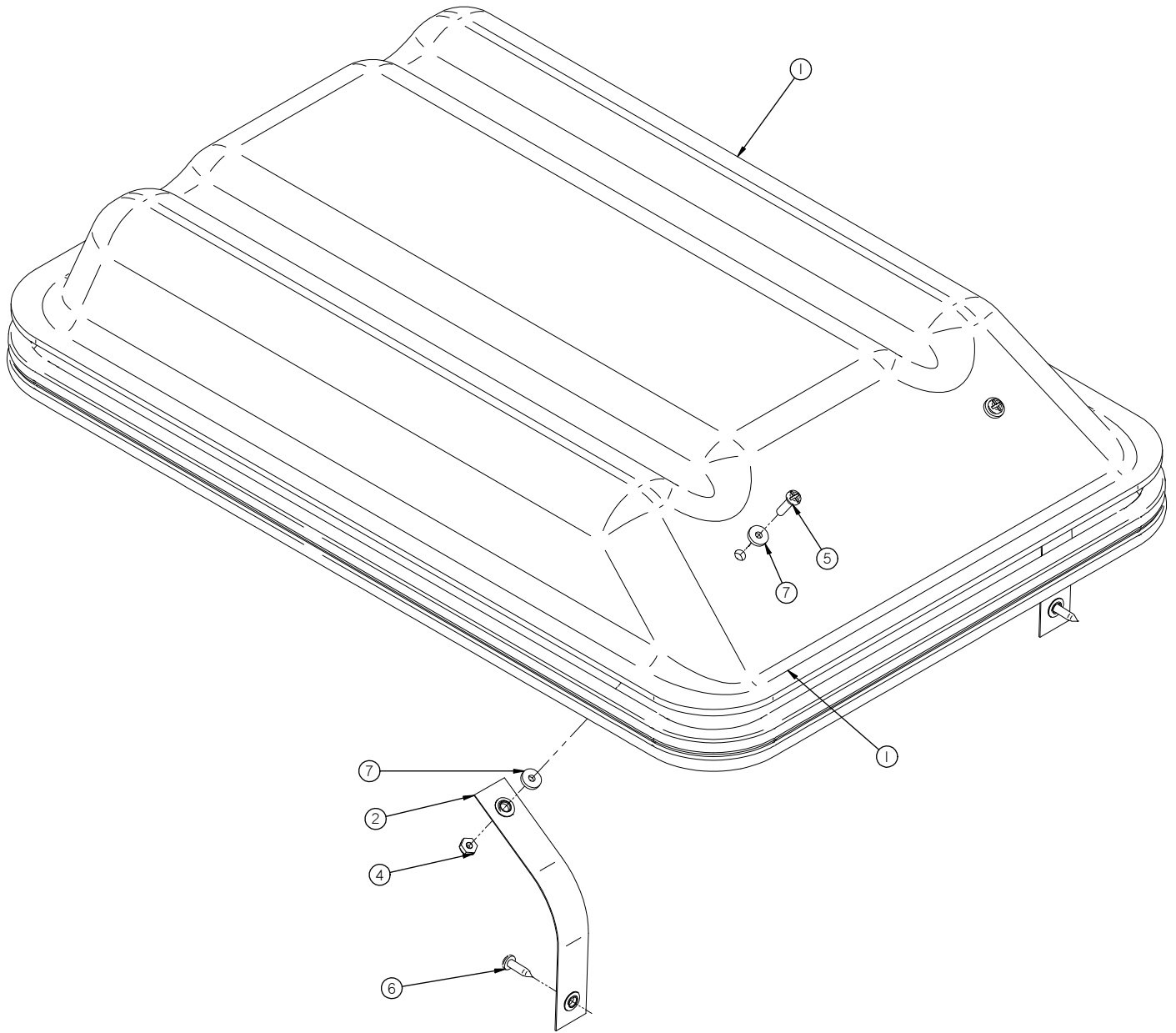
Item	Part No.	Part Description	Qty.
1*	150-0115	BANDEAU TO TANK HOSE	1
2*	150-0120	CLEAN AIR INTAKE HOSE	1
3*	150-0121	INNER TANK HOSE	1
4	150-1038	TANK STRAP BRACKET	1
5	170-8911	SCREEN STRAINER, 4-1/4" LG	1
6	175-1137	VAC MOTOR INSULATION	1
7*	175-1210	2.0" MNPT X 2.0" BARB, PVC CHAMFERED ID	1
8	175-1228	SPLASH CURTAIN	1
9	175-1370	SIGHT TUBE	1
10	175-4102	GASKET, BAFFLE TOP	1
11	175-7210	DRAIN HOSE	1
12	190-1210	2.0" MNPT X 2.0" BARB, PVC	3
13	190-1215	2.0" MNPT X 1.50" BARB, PVC	1
14	250-7201	TOMCAT "MOLD ON" GRAPHIC	1
15	253-0111	SQUEEGEE HOSE	1
16	370-7201	FACTORY CAT STICKER	1
17*	4-124	CLIP, LATCH	3
18	400-4250	4" Clear Access Port	1
19*	5-719	CLAMP 1 9/16 - 2 1/2" SS	3
20	5-719	CLAMP 1 9/16 - 2 1/2" SS	1
21	500-1380	FILL HOSE	1
22*	H-0127288	#6 3/8" RUBBER LOOP CLAMP	1
23*	H-3225T	RUBBER LOOP CLAMP, 1-1/2"	1
24*	H-70001	HCS 1/4"-20 X 1/2" SS"	2
25	H-70053	HCS 5/16"- 18 X 3/4" SS	2
26*	H-71015	FW 5/16 ID X 3/4 OD SS	2
27	H-71059	LW #10, SS	5
28*	H-71063	LW 1/4" SS	2
29	H-71065	LW 5/16" SS	2
30	H-71894	#14 X 1" SELF TAPPING SCREW	6
31	H-72515	PPH #10-32 X 1/2" S/S	5
32*	H-9307K74	GROMMET, 1" ID X 1-3/4" OD BUNA-N	1
33	M-53525K21	ELBOW, 3/8" MNPT X 1/2" BARB, BRASS	1
34	M-53525K58	ELBOW, 1/2" MNPT X 1/2" BARB, BRASS	2
35	M-5463K496	.75 NPT X .25 BARBED X 90 DEG.par	1
36*	M-5463K727	WYE, 1/2", NYLON	1

Tank Assembly 10g Sol / 10g Rec - Serial #93743 & Less



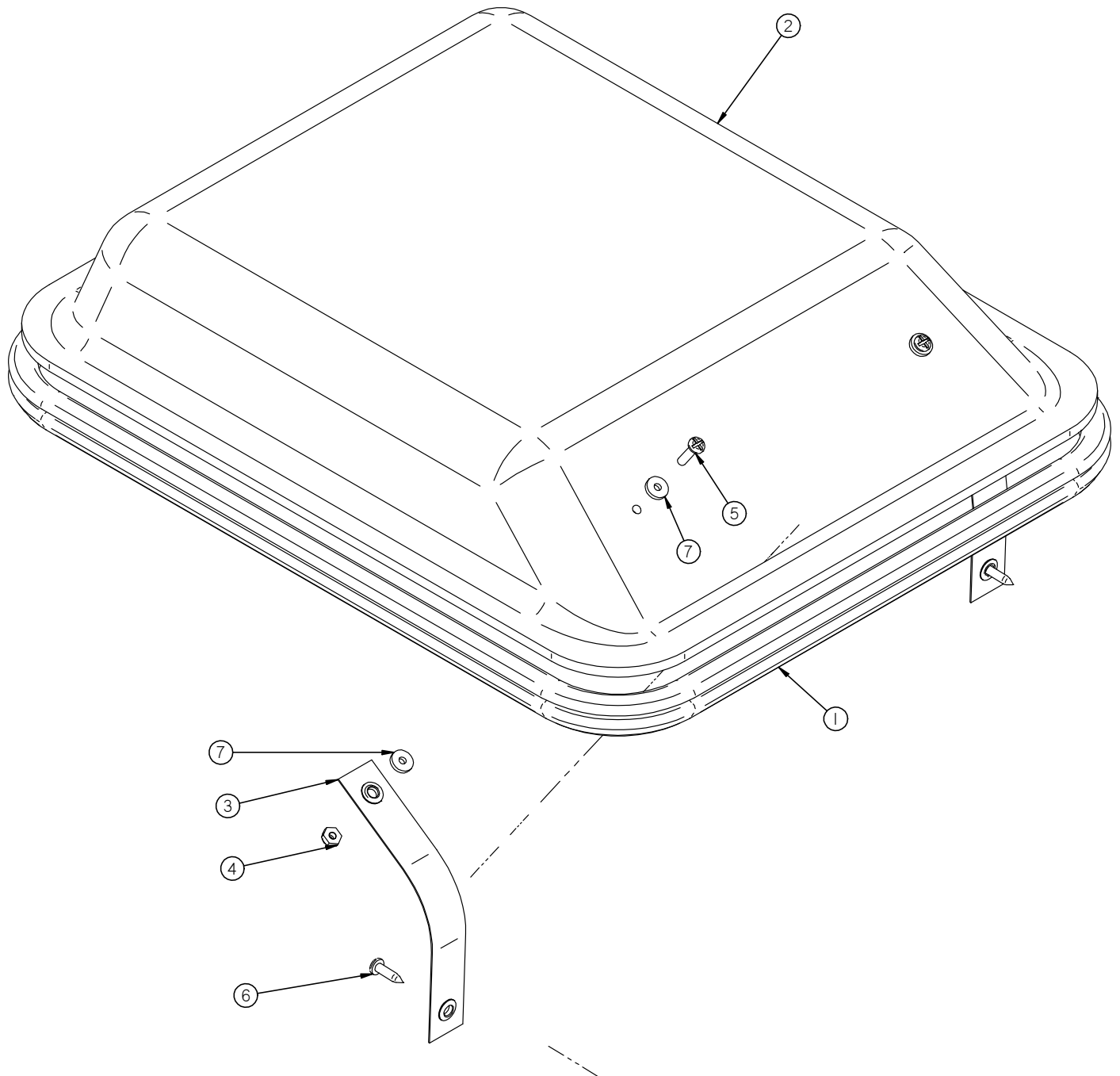
Item	Part No.	Part Description	Qty.	Item	Part No.	Part Description	Qty.
1	150-0115	INNER SQUEEGEE HOSE	1	24	5-8290	O-RING, #324, 1.35" X 1.77" X .210" BUNA-N	1
2	150-0120	INNER VAC HOSE	1	25	500-1380	FILL HOSE	1
3	150-1039	TANK STRAP BRACKET	1	26	H-0127288	#6 3/8" RUBBER LOOP CLAMP	1
4	150-1046	TANK STRAP	1	27	H-0427612	CLAMP 3/4" - 1-3/4" SS	1
5	150-1137	VAC MOTOR INSULATION	1	28	H-62002	HOSE CLAMP, #4 S/S	1
6	150-1145	BANDEAU COVER (DISK), PLASTIC	1	29	H-62044	CLAMP 1.0" - 2.0" SS	1
7	150-1229	SPLASH CURTAIN	1	30	H-70001	HCS 1/4"-20 X 1/2 SS"	3
8	150-1370	SIGHT TUBE	1	31	H-70002	HCS 1/4"-20 X 5/8" SS	3
9	150-2502	VACUUM FAN MUFFLER, 8" LG	2	32	H-70003	HCS 1/4"-20 X 3/4" SS	2
10	150-7285	BATTERY CONFIGURATION PLATE	1	33	H-70860	NYLOK 1/4" - 20 SS	3
11	150-7291	EXHAUST ELBOW	2	34	H-70925	KN 1/4"-20 S/S	6
12	150-7292	I-1/2" X 5" NIPPLE	1	35	H-71013	FW 1/4 ID X 5/8 OD SS	8
13	150-8911	SCREEN STRAINER, 4-1/4" LG	1	36	H-71063	LW 1/4" SS	8
14	170-7211	I-1/2 HOSE CAP	1	37	H-71212	FNW 1/4 ID X 1.0 OD SS	3
15	175-7210	RECOVERY DRAIN HOSE	1	38	H-71893	1/4 X 3/4 SELF TAPPING SCREW	1
16	190-1210	2.0" MNPT X 2.0" BARB, PVC	3	39	H-72904	PPH SMS #6 X 1/2" SS	2
17	190-1215	2.0" MNPT X 1.50" BARB, PVC	1	40	M-53525K18	ELBOW, 3/8" MNPT X 3/8" BARB, BRASS	2
18	190-3002	VAC MOTOR GASKET	1	41	M-5463K116	WYE, 3/8", NYLON	1
19	190-5250	VAC MOTOR, 3/4 HP, TANGENTIAL	1	42	M-90130A029	.25" NEOPRENE WASHER	6
20	253-0111	SQUEEGEE HOSE	1	43	M-9307K23	GROMMET, 3/8 ID X 7/8 OD X 1/8 TH.	1
21	253-1240	CLIP	2	44	M-95412A562	FTS 1/4"- 20 X 5" SS	3
22	253-9491	HOOK	1	45	T-038R1700	ELBOW TO WYE - HOSE	1
23	5-719	CLAMP 1 9/16 - 2 1/2" SS	2				

Recovery Tank Dome Lid Assembly - Serial #93744 & Greater



Item	Part No.	Part Description	Qty.
1	150-1409	SPORT CLEAR LID	1
2	175-1412	TANK LID STRAP W/GROMMETS	2
3*	175-4101	PUSH-ON RUBBER GASKET	1
4	H-0129155	JNYL #10-32, 18-8 S/S	2
5	H-72534	PPH #10-32 X 3/4" S/S	2
6	H-72916	PPH SMS #8 X 3/4" SS	2
7	H-90133	.170 ID X .50 OD X .093 TH NEOPRENE WASHER	4

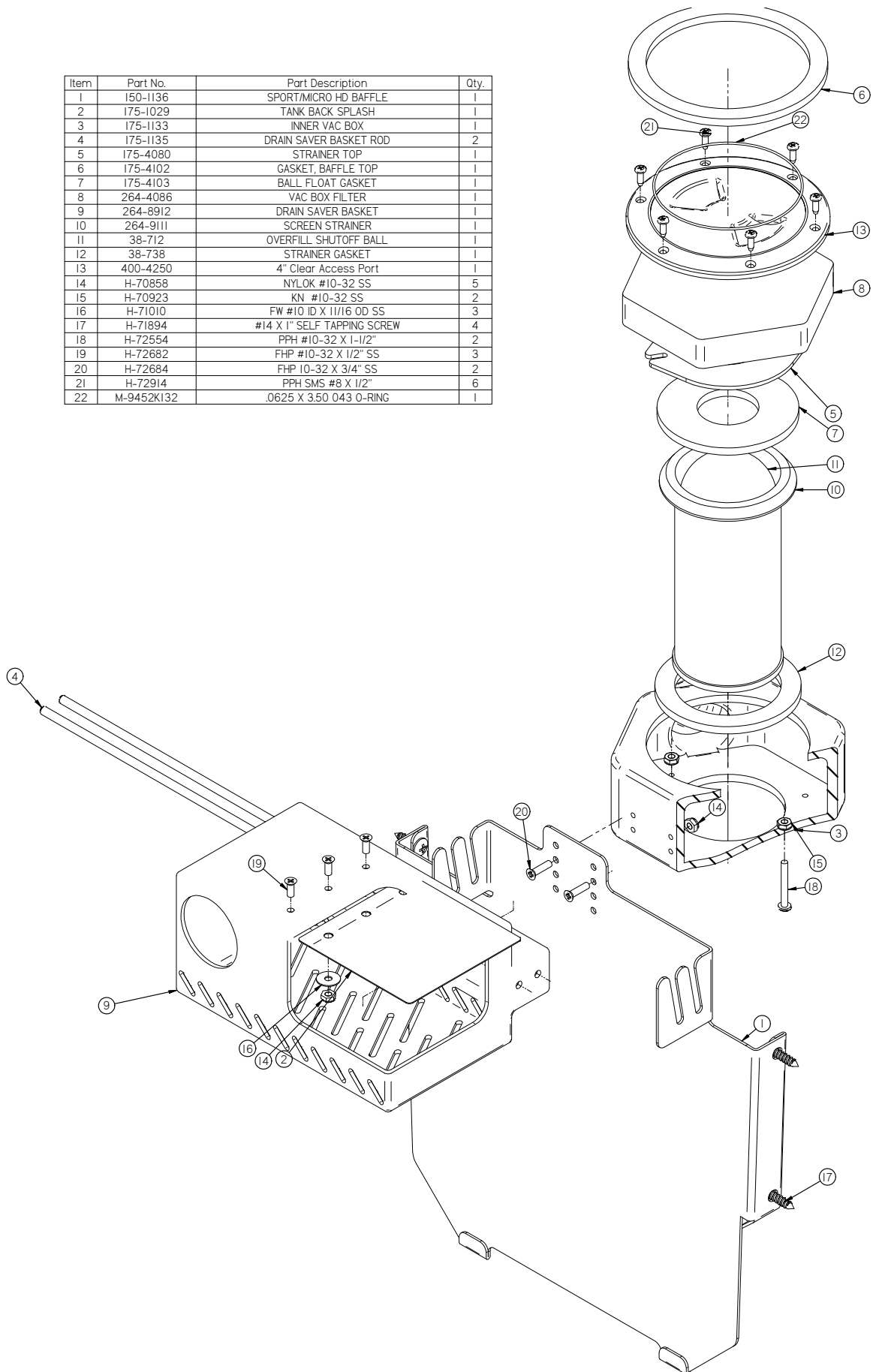
Recovery Tank Dome Lid Assembly - Serial #93743 & Less



Item	Part No.	Part Description	Qty.
1	150-1075	PUSH-ON RUBBER GASKET	1
2	150-1410	VAC FORMED SMOKED COVER	1
3	150-4061	TANK LID STRAP W/GROMMETS	2
4	H-0129155	JNYL #10-32, 18-8 S/S	2
5	H-72534	PPH #10-32 X 3/4" S/S	2
6	H-72916	PPH SMS #8 X 3/4" SS	2
7	H-90133	.170 ID X .50 OD X .093 TH NEOPRENE WASHER	4

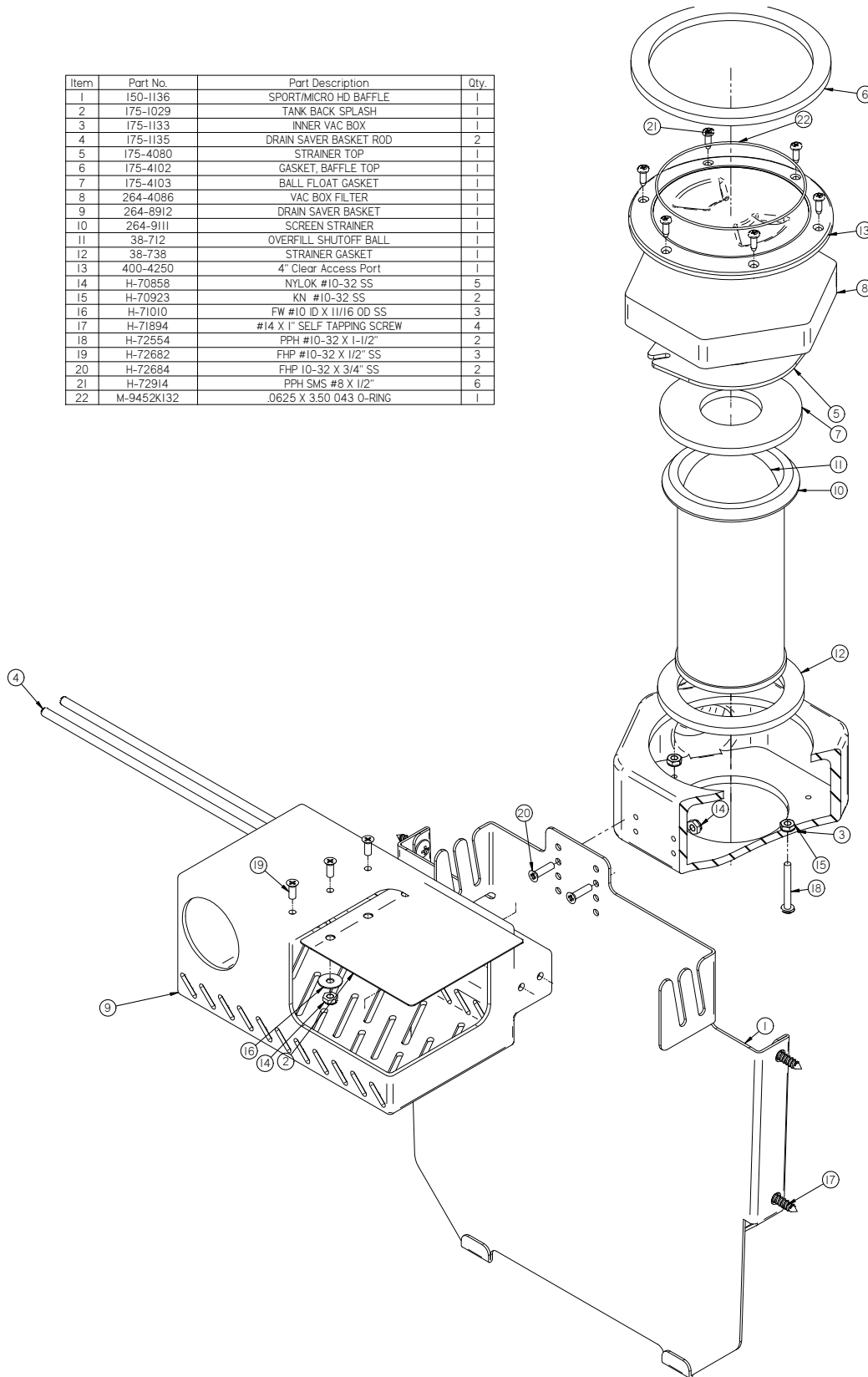
Drain Saver & Baffle Assembly - Serial #93744 & Greater

Item	Part No.	Part Description	Qty.
1	150-1136	SPORT/MICRO HD BAFFLE	1
2	175-1029	TANK BACK SPLASH	1
3	175-1133	INNER VAC BOX	1
4	175-1135	DRAIN SAVER BASKET ROD	2
5	175-4080	STRAINER TOP	1
6	175-4102	GASKET, BAFFLE TOP	1
7	175-4103	BALL FLOAT GASKET	1
8	264-4086	VAC BOX FILTER	1
9	264-8912	DRAIN SAVER BASKET	1
10	264-9111	SCREEN STRAINER	1
11	38-712	OVERFILL SHUTOFF BALL	1
12	38-738	STRAINER GASKET	1
13	400-4250	4" Clear Access Port	1
14	H-70858	NYLOK #10-32 SS	5
15	H-70923	KN #10-32 SS	2
16	H-71010	FW #10 ID X 11/16 OD SS	3
17	H-71894	#14 X 1" SELF TAPPING SCREW	4
18	H-72554	PPH #10-32 X 1-1/2"	2
19	H-72682	FHP #10-32 X 1/2" SS	3
20	H-72684	FHP 10-32 X 3/4" SS	2
21	H-72914	PPH SMS #8 X 1/2"	6
22	M-9452K132	.0625 X 3.50 043 O-RING	1

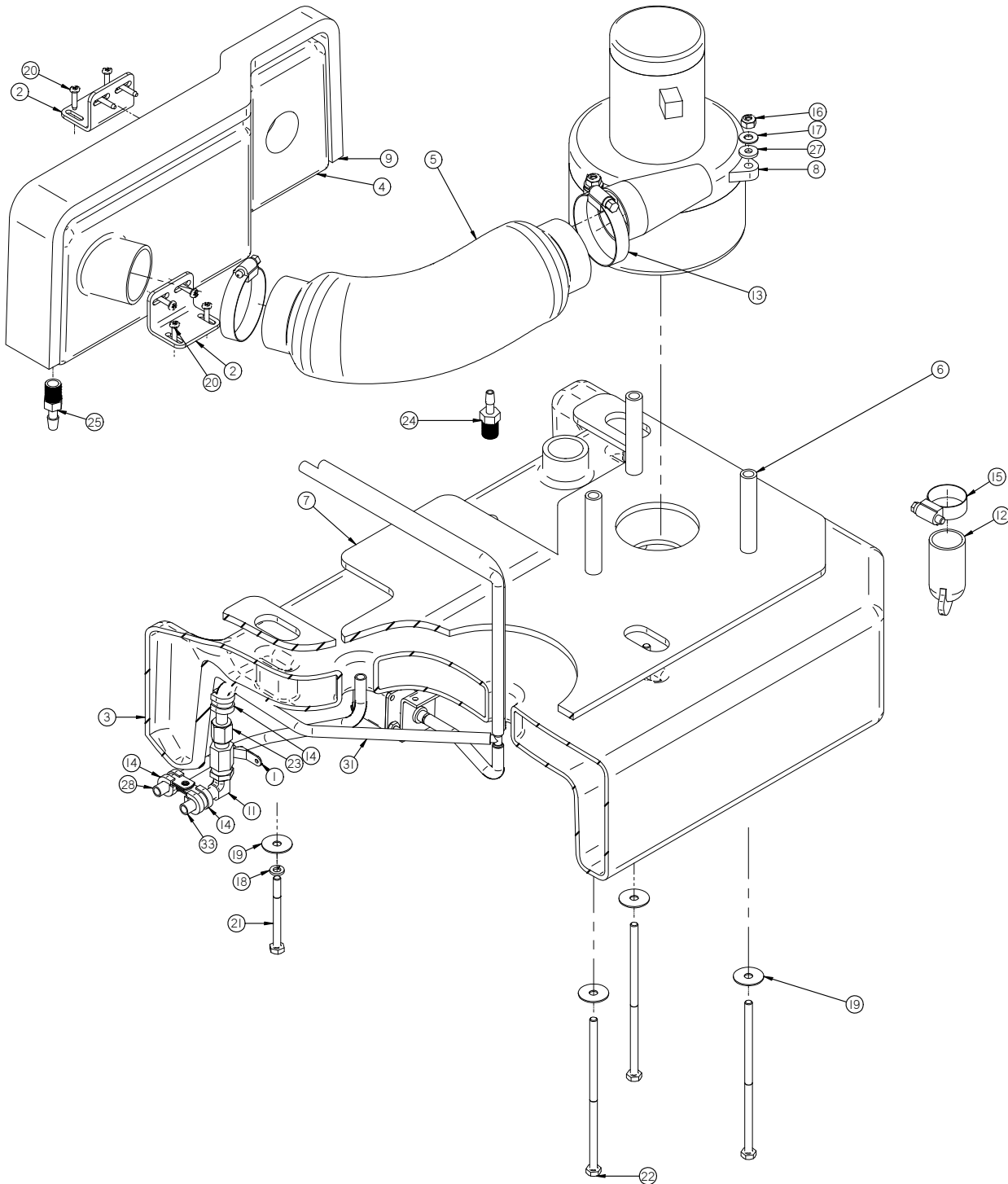


Drain Saver & Baffle Assembly - Serial #93743 & Less

Item	Part No.	Part Description	Qty.
1	150-1136	SPORT/MICRO HD BAFFLE	1
2	175-1029	TANK BACK SPLASH	1
3	175-1133	INNER VAC BOX	1
4	175-1135	DRAIN SAVER BASKET ROD	2
5	175-4080	STRAINER TOP	1
6	175-4102	GASKET, BAFFLE TOP	1
7	175-4103	BALL FLOAT GASKET	1
8	264-4086	VAC BOX FILTER	1
9	264-8912	DRAIN SAVER BASKET	1
10	264-9111	SCREEN STRAINER	1
11	38-712	OVERFILL SHUTOFF BALL	1
12	38-738	STRAINER GASKET	1
13	400-4250	4" Clear Access Port	1
14	H-70858	NYLOK #10-32 SS	5
15	H-70923	KN #10-32 SS	2
16	H-71010	FW #10 ID X 11/16 OD SS	3
17	H-71894	#14 X 1" SELF TAPPING SCREW	4
18	H-72554	PPH #10-32 X 1-1/2"	2
19	H-72682	FHP #10-32 X 1/2" SS	3
20	H-72684	FHP 10-32 X 3/4" SS	2
21	H-72914	PPH SMS #8 X 1/2"	6
22	M-9452K132	.0625 X 3.50 043 O-RING	1

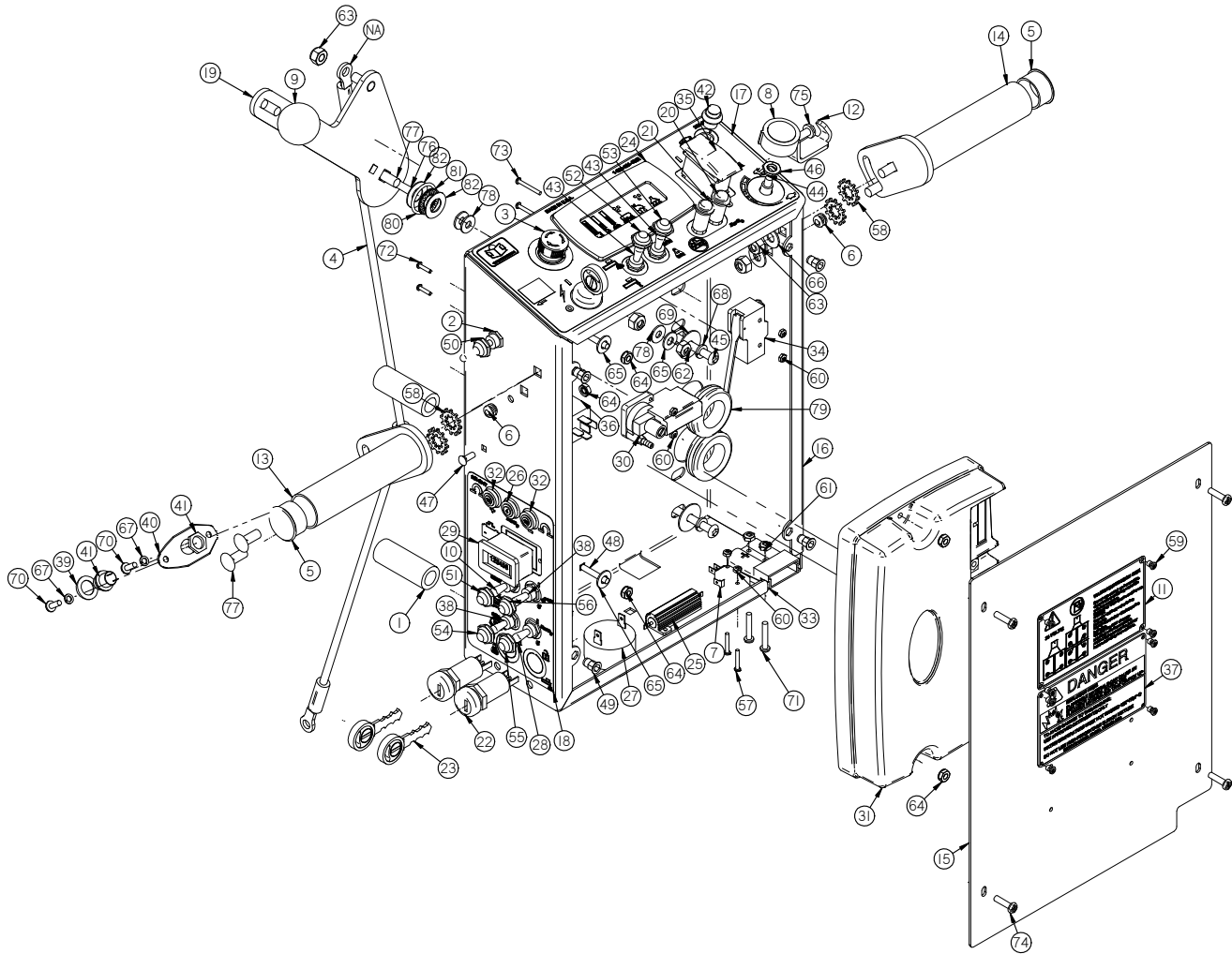


Vacuum Bandeau Assembly - Serial #93744 & Greater



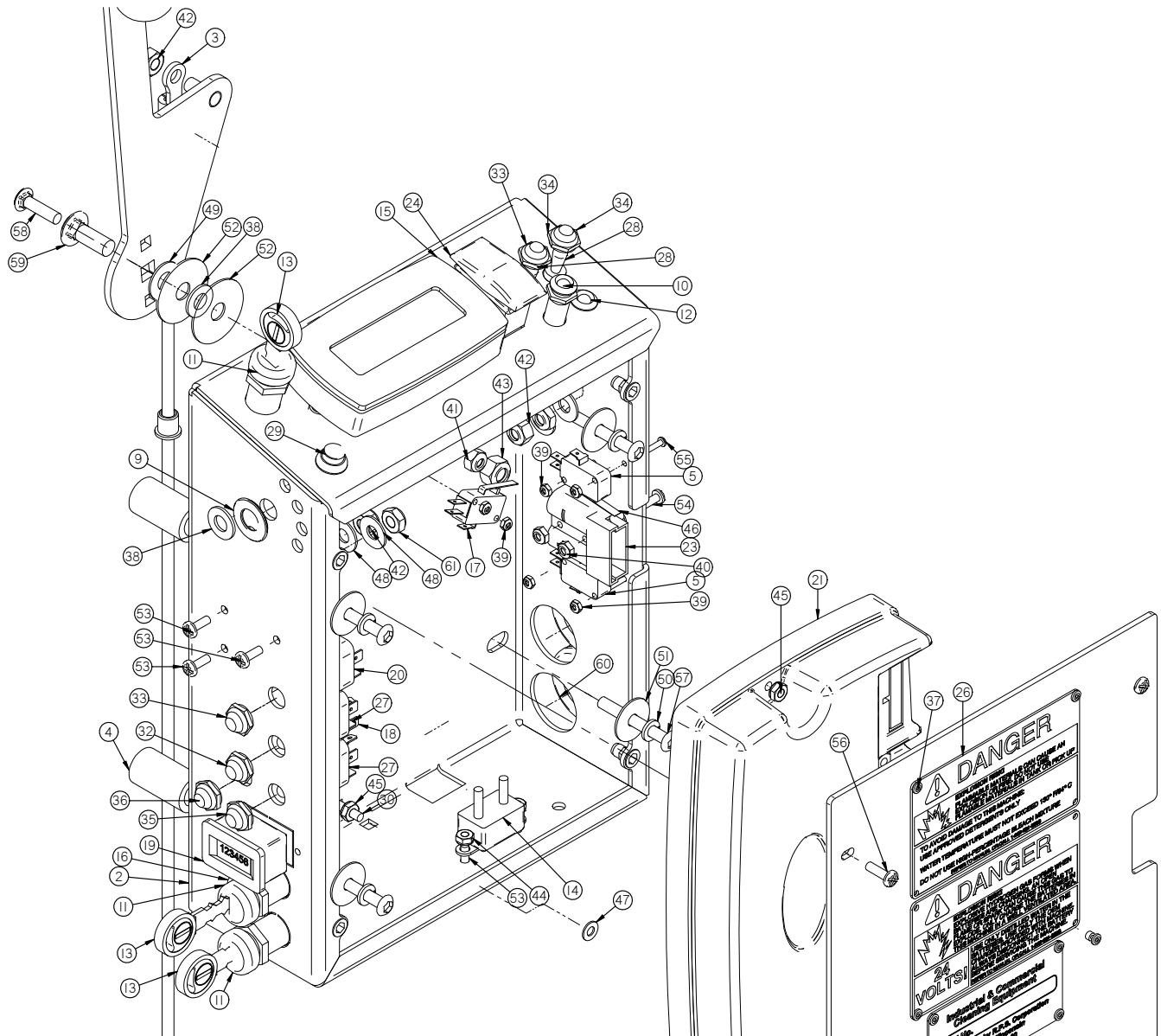
Item	Part No.	Part Description	Qty.	Item	Part No.	Part Description	Qty.
1	170-4158	1/4" NPT VALVE	1	18	H-71063	LW 1/4" SS	3
2	175-1129	VAC MUFFLER BRACKET	2	19	H-71212	FNW 1/4" ID X 1.0 OD SS	6
3	175-1146	MINI-HD CARBON BANDEAU VAC BOX	1	20	H-72916	PPH SMS #8 X 3/4" SS	8
4	175-1148	VAC MUFFLER WALL	1	21	H-77014	HCS 1/4"- 20 X 2.75" SS	3
5	175-2502	MINI-HD CARBON MUFFLER	1	22	H-77025	HCS 1/4"- 20 X 6.0" SS	3
6	175-2600	SPACER, 3.0" LG	3	23	M-5346K51	25 NPTF X .125 BRASS BARBED HOSE FITTING	1
7	175-3000	1/6" I.D. VAC MOTOR GASKET	1	24	M-5463K439	25 NPT X .125 BARB	1
8	175-5250	VAC MOTOR, 3/4 HP, TANGENTIAL	1	25	M-5463K445	25 NPT X .25 BARB	1
9	175-7421	TANK GASKET	1	26	M-5463K606	1/4" X 1/4" PLASTIC BARBED TEE	1
10	253-8500	SOAP PUMP, 24V	1	27	M-90130A029	.25" NEOPRENE WASHER	3
11	290-4149	1/4" NPT X 1/4" BARB X 90 DEG	1	28	T-025B6000	BULK 1/4" ID X 5' BLUE VAC DRAIN HOSE	1
12	390-1505	LOADER VALVE	1	29	T-025C6000	BULK 1/4" ID X 5' CLEAR SUDS HOSE	1
13	5-719	CLAMP, 1 9/16 - 2 1/2" SS	2	30	T-025C6000	BULK 1/4" ID X 5' CLEAR SUDS HOSE	1
14	H-0127290	1/2" LOOP CLAMP	3	31	T-025C6000	BULK 1/4" ID X 5' CLEAR SUDS HOSE	1
15	H-62005	CLAMP 5/8"- 1-1/2" SS	1	32	T-025C6000	BULK 1/4" ID X 5' CLEAR SUDS HOSE	1
16	H-70860	NYLOK 1/4"- 20 SS	3	33	T-025G6000	BULK 1/4" ID X 5' GREEN SUDS DRAIN HOSE	1
17	H-71013	FW 1/4 ID X 5/8 OD SS	3				

Central Command Assembly - Serial #97255 & Greater



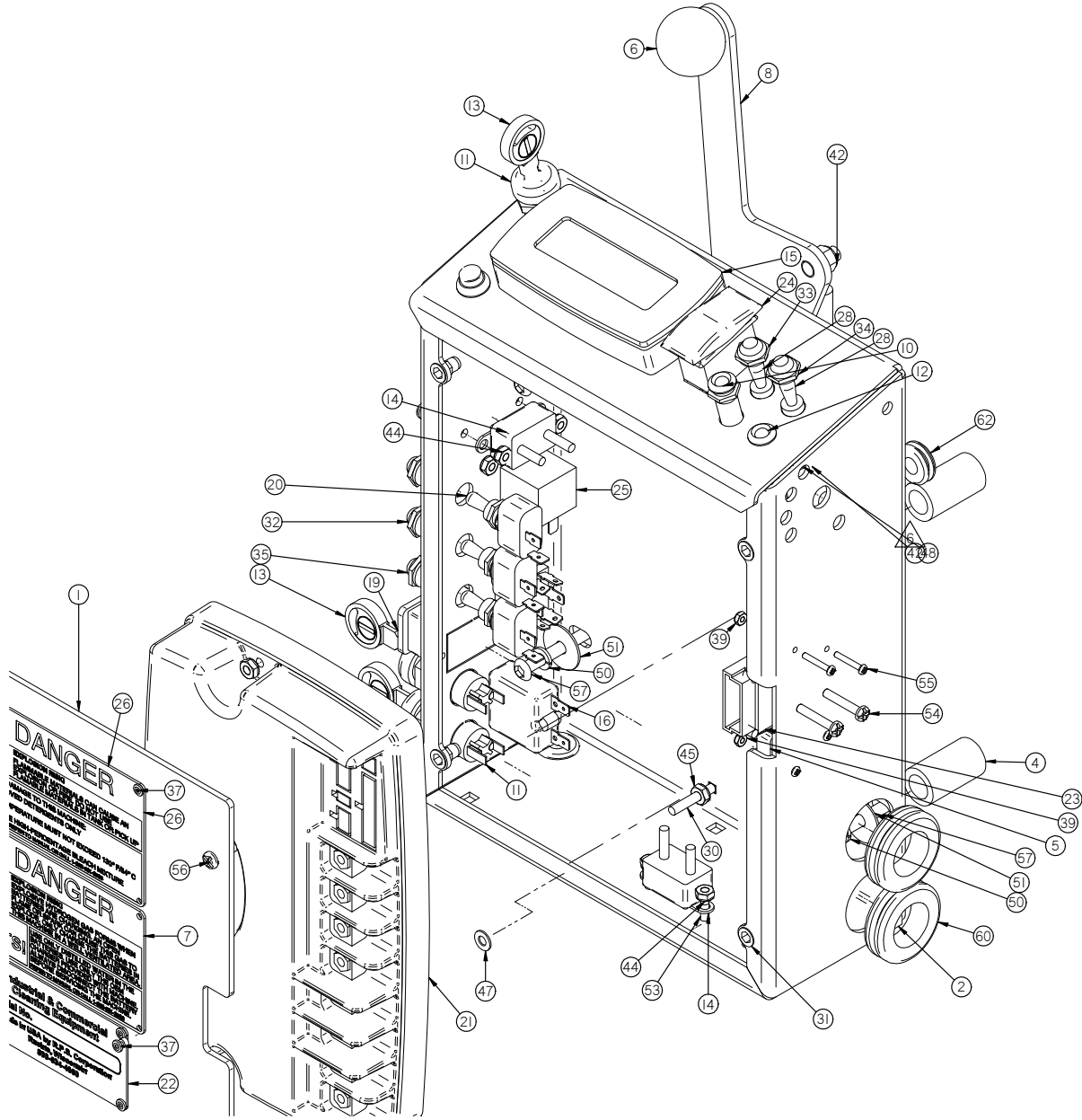
Item	Part No.	Part Description	Qty.	Item	Part No.	Part Description	Qty.
1	150-2701	SPACER, 2-1/4" LG	4	42	7-229D	PUSH BUTTON SWITCH	1
2	150-2830	SWITCH, TOGGLE, MOM/OFF/MOM (DPDT)	1	43	7-283	SWITCH, TOGGLE, MOM/OFF/MOM (DPDT)	2
3	175-0300	Emergency stop switch, 51 series, ICI/O	1	44	7-292	5K POTENTIOMETER	1
4	175-7890	SQUEEGEE LIFT CABLE	1	45	H-00593	BHSCS 1/4 - 20 X 2-3/4 SS	4
5	190-1390	END CAP	2	46	H-0147994	3/8-32 X 1/2 PANEL NUT	1
6	21-2203	GROMMET, RUBBER 3/16 ID X 13/32 OD X 3/32 TH.	2	47	H-0172518	CB #10-32 X 1/2" SS	1
7	21-2230	MICRO SWITCH	1	48	H-0172522	CB #10-32 X 1-1/4" SS	2
8	21-4520	SPEED CONTROL KNOB, RED	1	49	H-1032HCN	HCN #10-32	4
9	21-7101	LIFT KNOB	1	50	H-11196	PROTECTIVE BOOT, TOGGLE SWITCH, (RED)	1
10	253-283	SWITCH, TOGGLE, ON/OFF/ON (DPDT)	1	51	H-11198	PROTECTIVE BOOT, TOGGLE SWITCH, (GREEN)	1
11	253-7280	EXPLOSION WARNING PLATE	1	52	H-11199	PROTECTIVE BOOT, TOGGLE SWITCH, (BLUE)	1
12	253-9491	HOOK	1	53	H-11200	PROTECTIVE BOOT, TOGGLE SWITCH, (BLACK)	1
13	264-1290	ADJUSTABLE HANDLE BAR, LEFT	1	54	H-11202	PROTECTIVE BOOT, TOGGLE SWITCH, (ORANGE)	1
14	264-1291	ADJUSTABLE HANDLE BAR, RIGHT	1	55	H-11203	PROTECTIVE BOOT, TOGGLE SWITCH, (PURPLE)	1
15	264-2001	CONTROL PANEL COVER	1	56	H-11205	PROTECTIVE BOOT, TOGGLE SWITCH, (LIGHT BLUE)	1
16	264-2012	CONTROL PANEL BOX, TRACTION	1	57	H-28667	PHP MS 4-40 X 3/4"	2
17	264-2016	MINI MAG TD CONTROL PANEL STICKER	1	58	H-33761	5/16" INT/EXT STAR WASHER	4
18	264-2017	SUDS/SPRAY STICKER	1	59	H-41007	AB4-3A BLIND RIVET	12
19	264-7100	SQUEEGEE LIFT LEVER	1	60	H-70854	NYLOK #4-40 SS	6
20	290-2300	LED LIGHT (BLUE)	1	61	H-70856	NYLOK #8-32 SS	2
21	290-2310	FULL RECOVERY (RED)	1	62	H-70860	NYLOK 1/4"- 20 SS	5
22	290-234	KEY SWITCH (WITH KEY)	3	63	H-70861	NYLOK 5/16" - 18 SS	6
23	290-234A	KEY SET (REPLACE)	3	64	H-70923	KN #10-32 SS	5
24	290-2891	LCD SCREEN	1	65	H-71013	FW 1/4 ID X 5/8 OD SS	3
25	290-9581		1	66	H-71015	FW 5/16 ID X 3/4 OD SS	4
26	349-9604	FUSE, RESETTABLE, 4 AMP, 50V DC MAX	1	67	H-71059	LW #10, SS	8
27	370-2920	ALARM	1	68	H-71063	LW 1/4" SS	4
28	370-8210	SWITCH, TOGGLE, ON/ON (DPDT)	1	69	H-71212	FNW 1/4 ID X 1.0 OD SS	4
29	370-8261	CHARGER COUNTER	1	70	H-72398	PPH #8-32 X 1/2" S/S	8
30	390-2328	SWITCH, VACUUM SHUTOFF	1	71	H-72418	PPH #8-32 X 1" S/S	2
31	390-2899	CONTROLLER V4	1	72	H-72486	PPH #4-40 X 1/2" S/S	2
32	390-9615	FUSE, RESETTABLE, 15 AMP, 50V DC MAX	2	73	H-72494	PPH #4-40 X 1" S/S	2
33	4-259	CONNECTOR, RED 50, HOUSING ONLY	1	74	H-72534	PPH #10-32 X 3/4" S/S	4
34	5-223	LIMIT SWITCH	1	75	H-72588	PPH 1/4-20 X 5/8" SS	1
35	5-234	SWITCH, ROCKER, DPDT, ON/ON	1	76	H-74420	CB 1/4" - 20 X 1.0" SS	1
36	5-293	15 AMP RELAY	1	77	H-74429	CB 5/16" - 18 X 3/4" SS	5
37	5-728	DETERGENT WARNING PLATE	1	78	H-76061	FW 1/4" NYLON	3
38	5-892	TOGGLE, ON-OFF SPST	2	79	H-9307K74	GROMMET, 1" ID X 1-3/4" OD BUNA-N	2
39	7-227	BUTTON COVER	2	80	M-4464T178	NEEDLE ROLLER THRUST BEARING ORING	1
40	7-228	SWITCH MOUNT PLATE	4	81	M-5909K31	NEEDLE ROLLER THRUST BEARING	1
41	7-229	PUSH BUTTON SWITCH	4	82	M-5909K44	NEEDLE ROLLER THRUST BEARING WASHER	2

Central Command Assembly - Serial #97254 & Less

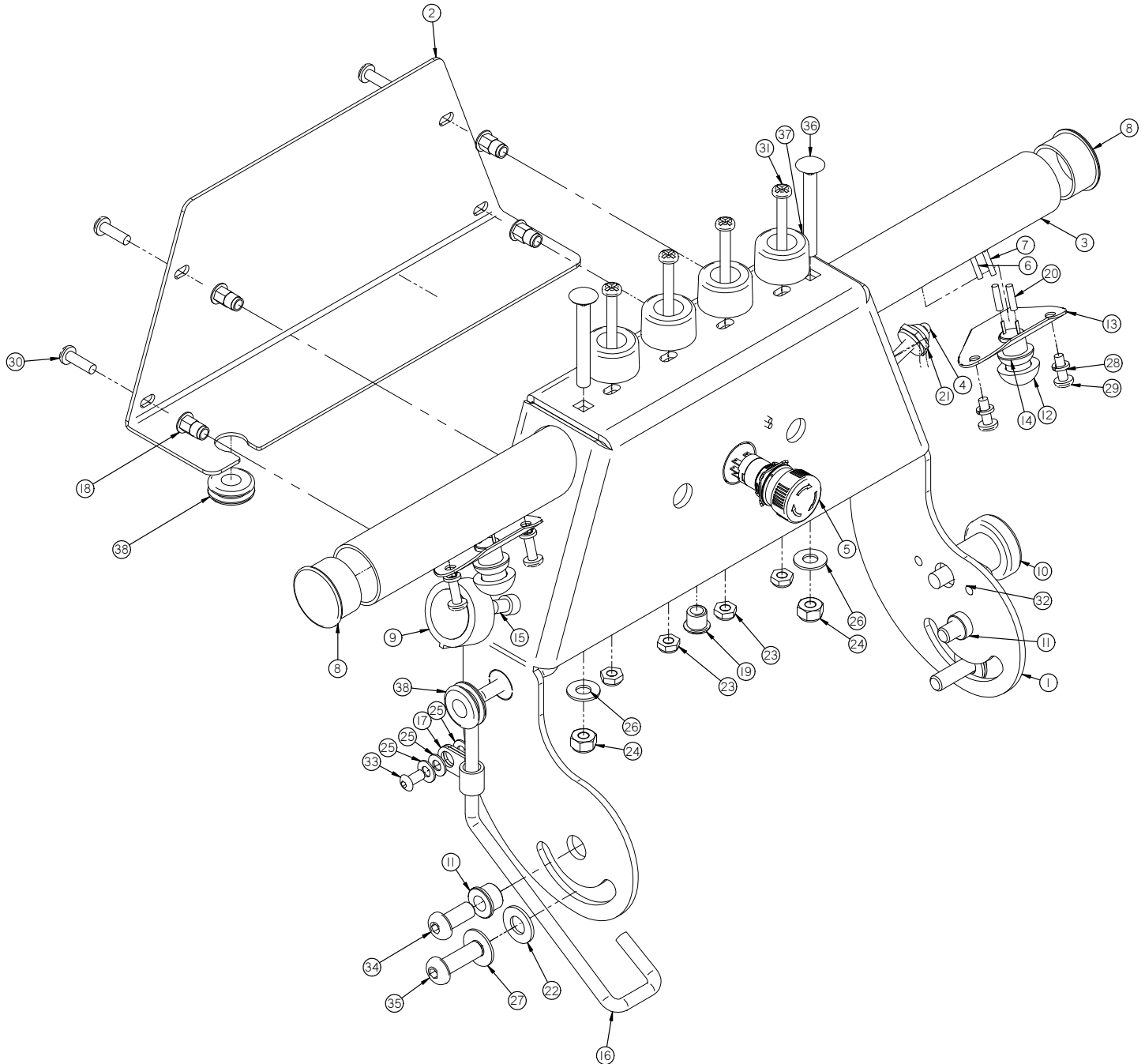


Item	Part No.	Part Description	Qty.	Item	Part No.	Part Description	Qty.
1	150-2005	TRACTION CONTROL PANEL COVER	1	32	H-11198	PROTECTIVE BOOT, TOGGLE SWITCH, (GREEN)	1
2	150-3012	CONTROL BOX	1	33	H-11199	PROTECTIVE BOOT, TOGGLE SWITCH, (BLUE)	2
3	150-7891	SQUEEGEE LIFT CABLE, HD	1	34	H-11200	PROTECTIVE BOOT, TOGGLE SWITCH, (BLACK)	1
4	170-2700	SPACER, 1-1/2" LG	4	35	H-11202	PROTECTIVE BOOT, TOGGLE SWITCH, (ORANGE)	1
5	21-2230	MICRO SWITCH	2	36	H-11203	PROTECTIVE BOOT, TOGGLE SWITCH, (PURPLE)	1
6	21-7101	LIFT KNOB	1	37	H-41007	AB4-3A BLIND RIVET	8
7	253-7290	24V BATTERY WARNING PLATE	1	38	H-4440024	FW 3/8" X 3/4" NYLON	3
8	264-7100	SQUEEGEE LIFT LEVER	1	39	H-70854	NYLOK #4-40 SS	6
9	290-1247	BRONZE THRUST BEARING, .50" ID X 1.0" OD X 1/16" TH	2	40	H-70856	NYLOK #8-32 SS	2
10	290-2330	RED LIGHT	1	41	H-70860	NYLOK 1/4"- 20 SS	1
11	290-234	KEY SWITCH (WITH KEY)	3	42	H-70861	NYLOK 5/16" - 18 SS	3
12	290-2340	GREEN LIGHT	1	43	H-70862	NYLOK 3/8"-16 SS	1
13	290-234A	KEY SET (REPLACE)	3	44	H-70922	KN #8-32	5
14	290-2815	CIR. BREAKER - 15A, 24V	2	45	H-70923	KN #10-32 SS	4
15	290-2891	LCD SCREEN	1	46	H-71007	FW #8 SS	4
16	349-9604	FUSE, RESETTABLE, 4 AMP, 50V DC MAX	1	47	H-71009	FW #10 SS	2
17	370-2230	MICRO SWITCH	1	48	H-71015	FW 5/16" ID X 3/4" OD SS	4
18	370-8210	SWITCH, TOGGLE, ON/OFF (DPDT)	1	49	H-71017	FW 3/8" ID X 7/8" OD SS	1
19	370-8261	CHARGER COUNTER	1	50	H-71063	LW 1/4" SS	4
20	370-8920	TOGGLE, ON-OFF SPST	1	51	H-71212	FNW 1/4" ID X 1.0" OD SS	4
21	390-2899	CONTROLLER V4	1	52	H-71217	FNW 3/8" ID X 1-1/2" OD SS	2
22	4-101	SERIAL NUMBER PLATE	1	53	H-72398	PPH #8-32 X 1/2" S/S	5
23	4-259	CONNECTOR, RED 50, HOUSING ONLY	1	54	H-72418	PPH #8-32 X 1" S/S	2
24	5-234	SWITCH, ROCKER, DPDT, ON/OFF	1	55	H-72490	PPH #4-40 X 3/4" S/S	6
25	5-293	15 AMP RELAY	1	56	H-72517	PPH #10-32 X 5/8" SS	4
26	5-728	DETERGENT WARNING PLATE	1	57	H-73759	BHSCS 1/4 - 20 X 2.0" SS	4
27	5-892	TOGGLE, ON-OFF SPST	2	58	H-74420	CB 1/4"- 20 X 1.0" SS	1
28	650-2830	SWITCH, TOGGLE, MOM/OFF/MOM (DPDT)	2	59	H-74436	CB 3/8"- 16 X 1.0" SS	1
29	7-229	PUSH BUTTON SWITCH	1	60	H-9307K74	GROMMET, 1" ID X 1-3/4" OD BUNA-N	2

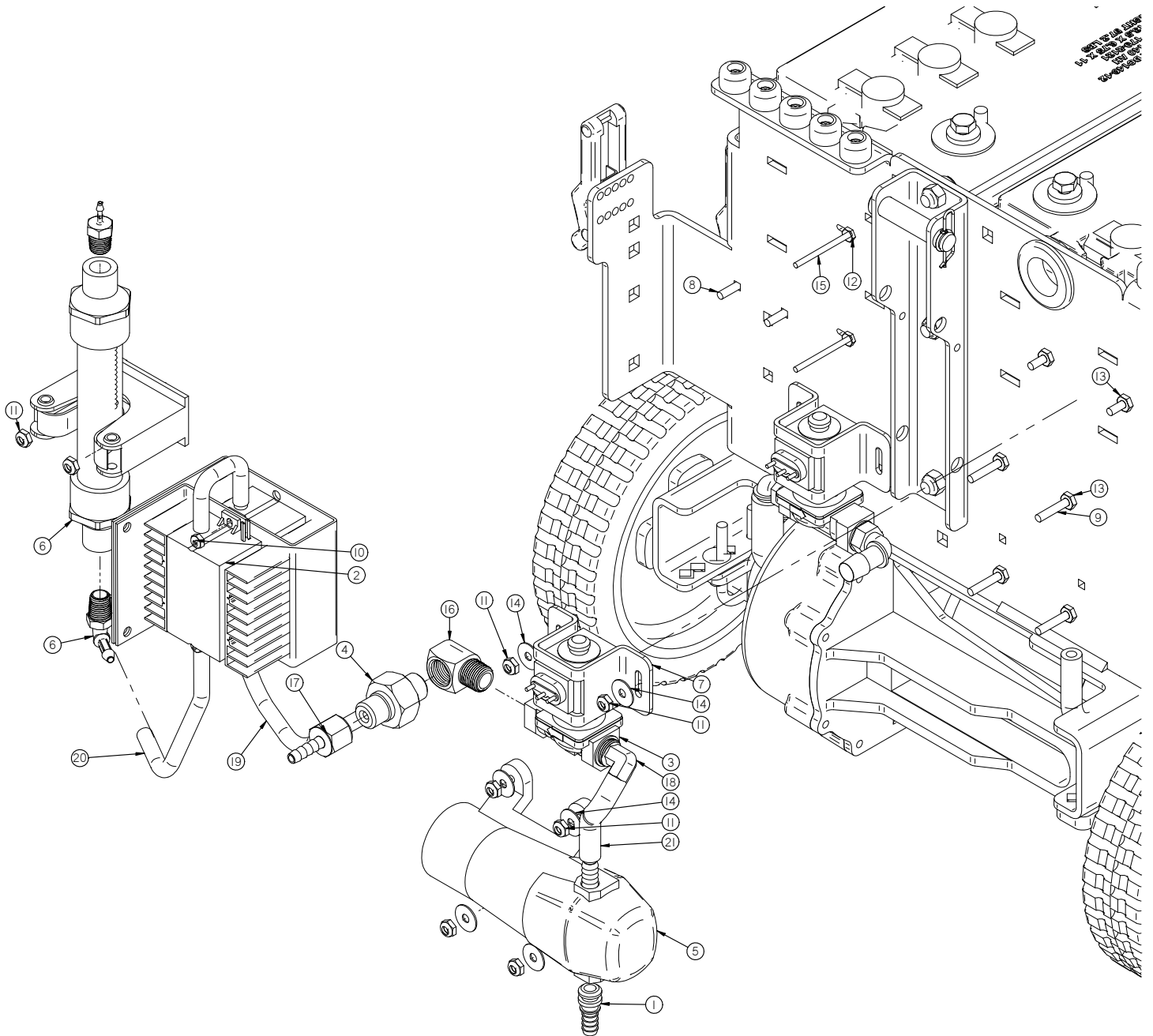
Central Command Assembly - Serial #97254 & Less



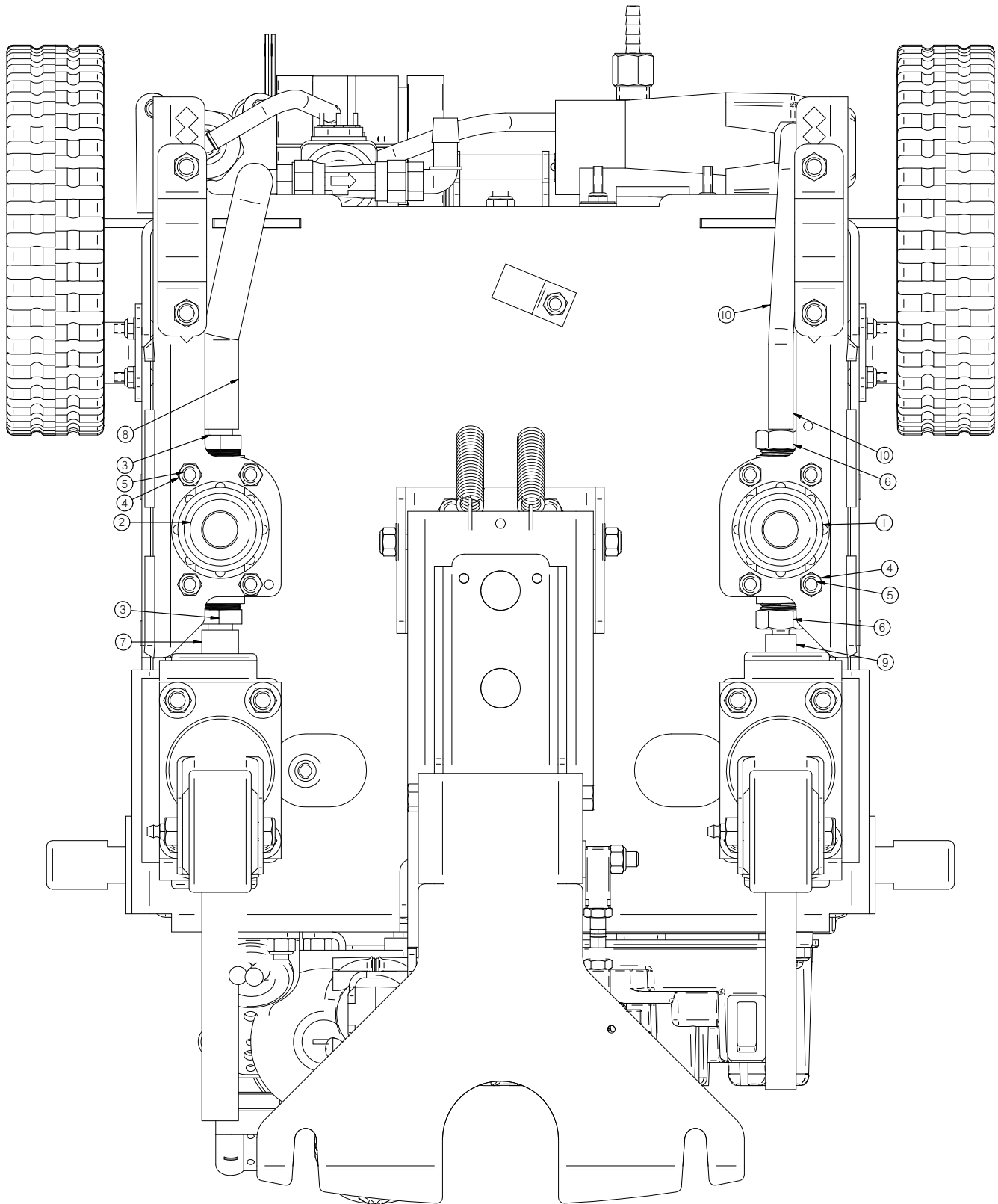
Item	Part No.	Part Description	Qty.	Item	Part No.	Part Description	Qty.
1	150-2005	TRACTION CONTROL PANEL COVER	1	32	H-11198	PROTECTIVE BOOT, TOGGLE SWITCH, (GREEN)	1
2	150-3012	CONTROL BOX	1	33	H-11199	PROTECTIVE BOOT, TOGGLE SWITCH, (BLUE)	2
3	150-7891	SQUEEGEE LIFT CABLE, HD	1	34	H-11200	PROTECTIVE BOOT, TOGGLE SWITCH, (BLACK)	1
4	170-2700	SPACER, 1-1/2" LG	4	35	H-11202	PROTECTIVE BOOT, TOGGLE SWITCH, (ORANGE)	1
5	21-2230	MICRO SWITCH	2	36	H-11203	PROTECTIVE BOOT, TOGGLE SWITCH, (PURPLE)	1
6	21-7101	LIFT KNOB	1	37	H-41007	AB4-3A BLIND RIVET	8
7	253-7290	24V BATTERY WARNING PLATE	1	38	H-4440024	FW 3/8" X 3/4" NYLON	3
8	264-7100	SQUEEGEE LIFT LEVER	1	39	H-70854	NYLOK #4-40 SS	6
9	290-1247	BRONZE THRUST BEARING, 50" ID X 1.0" OD X 1/16" TH	2	40	H-70856	NYLOK #8-32 SS	2
10	290-2330	RED LIGHT	1	41	H-70860	NYLOK 1/4" - 20 SS	1
11	290-234	KEY SWITCH (WITH KEY)	3	42	H-70861	NYLOK 5/16" - 18 SS	3
12	290-2340	GREEN LIGHT	1	43	H-70862	NYLOK 3/8"-16 SS	1
13	290-234A	KEY SET (REPLACE)	3	44	H-70922	KN #8-32	5
14	290-2815	CIR. BREAKER - 15A, 24V	2	45	H-70923	KN #10-32 SS	4
15	290-2891	LCD SCREEN	1	46	H-71007	FW #8 SS	4
16	349-9604	FUSE, RESETTABLE, 4 AMP, 50V DC MAX	1	47	H-71009	FW #10 SS	2
17	370-2230	MICRO SWITCH	1	48	H-71015	FW 5/16 ID X 3/4 OD SS	4
18	370-8210	SWITCH, TOGGLE, ON/ON (DPDT)	1	49	H-71017	FW 3/8 ID X 7/8 OD SS	1
19	370-8261	CHARGER COUNTER	1	50	H-71063	LW 1/4" SS	4
20	370-8920	TOGGLE, ON-OFF SPST	1	51	H-71212	FNW 1/4 ID X 1.0 OD SS	4
21	390-2899	CONTROLLER V4	1	52	H-71217	FNW 3/8 ID X 1-1/2 OD SS	2
22	4-101	SERIAL NUMBER PLATE	1	53	H-72398	PPH #8-32 X 1/2" S/S	5
23	4-259	CONNECTOR, RED 50, HOUSING ONLY	1	54	H-72418	PPH #8-32 X 1" S/S	2
24	5-234	SWITCH, ROCKER, DPDT, ON/ON	1	55	H-72490	PPH #4-40 X 3/4" S/S	6
25	5-293	15 AMP RELAY	1	56	H-72517	PPH #10-32 X 5/8" SS	4
26	5-728	DETERGENT WARNING PLATE	1	57	H-73759	BHSCS 1/4 - 20 X 2.0" SS	4
27	5-892	TOGGLE, ON-OFF SPST	2	58	H-74420	CB 1/4" - 20 X 1.0" SS	1
28	650-2830	SWITCH, TOGGLE, MOM/OFF/MOM (DPDT)	2	59	H-74436	CB 3/8" - 16 X 1.0" SS	1
29	7-279	PUSH BUTTON SWITCH	1	60	H-9307K74	GROMMET 1" ID X 1-3/4" OD RUINA-N	2



Item	Part No.	Part Description	Qty.	Item	Part No.	Part Description	Qty.
1	150-1040	ADJUSTABLE HANDLE BAR HOLDER	1	20	H-108	HEAT SHRINK	4
2	150-1042	HANDEL BAR COVER	1	21	H-11196	PROTECTIVE BOOT, TOGGLE SWITCH, IREDI	1
3	150-1044	MICRO-MAG HANDLE BAR (DUAL BUTTON)	1	22	H-4440024	FW 3/8" X 3/4" NYLON	2
4	150-2830	SWITCH, TOGGLE, MOM/OFF/MOM (DPDT)	1	23	H-70858	NYLOK #10-32 SS	4
5	175-0300	Emergency stop switch, 5I series, IC/O	1	24	H-70860	NYLOK 1/4"- 20 SS	2
6	190-1041	RED WIRE, 16 GAGE, 12" LG	2	25	H-71009	FW #10 SS	3
7	190-1042	YELLOW WIRE, 16 GAGE, 12" LG	2	26	H-71013	FW 1/4 ID X 5/8 OD SS	2
8	190-1390	END CAP	2	27	H-71015	FW 5/16 ID X 3/4 OD SS	2
9	21-4520	SPEED CONTROL KNOB, RED	1	28	H-71057	LW #8, SS	4
10	290-7050	INDEX PLUNGER	1	29	H-72398	PPH #8-32 X 1/2" S/S	4
11	370-1245	BUSHING	2	30	H-72517	PPH #10-32 X 5/8" SS	4
12	7-227	BUTTON COVER	2	31	H-72556	PPH #10-32 X 2" SS	4
13	7-228	SWITCH MOUNT PLATE	2	32	H-72681	FHP #10-32 X 3/8" SS	2
14	7-229D	PUSH BUTTON SWITCH	2	33	H-73742	BHSCS 10-32 X 3/8" SS	1
15	7-292	5K POTENTIOMETER	1	34	H-73779	BHSCS 5/16-18 X 3/4"	2
16	E-16MULTI7	MULTI STRAND WIRE	1	35	H-73780	BHSCS 5/16-18 X 1	2
17	H-02239	3/8" VINYL LOOP CLAMP	1	36	H-74423	CB 1/4"- 20 X 2.0" SS	2
18	H-02309	HCN #10-32, LG CRIMP	4	37	H-9540	RUBBER BUMPER, 25/32"	4
19	H-03124	1/4" ID, 3/8" OD, 3/8" LG FLANGED BEARING, NYLON	1	38	M-9307K23	GROMMET, 3/8 ID X 7/8 OD X 1/8 TH.	2



Item	Part No.	Part Description	Qty.
1	I23-1601	3/8 BARBED FITTING	1
2	I23-2334	ZERO GENERATORS	1
3	I23-6500	24V VALVE	1
4	I23-8510	RED INJECTOR	1
5	I23-8910	PUMP, WATER JET	1
6	I23-9134	AIR DRYER	1
7	I50-5280	VALVE BRACKET	1
8	H-0172520	CB #10-32 X 3/4" SS	1
9	H-0172522	CB #10-32 X 1-1/4" SS	1
10	H-70855	NYLOK #6-32 SS	1
11	H-70858	NYLOK #10-32 SS	4
12	H-70921	KN #6-32	1
13	H-70923	KN #10-32 SS	2
14	H-71010	FW #10 ID X 11/16 OD SS	3
15	H-72393	PPH #6-32 X 2" MS S/S	1
16	M-50785K441	.375 MALE NPT X .375 FEMALE NPT ELBOW 90 DEG	1
17	M-5346K52	.375 NPT X .25 BRASS BARBED HOSE FITTING	1
18	M-53525K18	.375 NPT X .375 BRASS BARBED ELBOW	1
19	T-025CS6000	BULK 1/4" ID X 5' CLEAR SILICONE ZERO HOSE	1
20	T-025CS6000	BULK 1/4" ID X 5' CLEAR SILICONE ZERO HOSE	1
21	T-375R6000	BULK 3/8" ID X 5' WIRE REINFORCED ZERO HOSE	1



Item	Part No.	Part Description	Qty.
1	I75-9130	INLINE FILTER	1
2	I75-9135	INLINE FILTER W/BLACK 40 MESH SCREEN	1
3	H-04788	.50 NPT X .50 BARB	2
4	H-70860	NYLOK 1/4"- 20 SS	2
5	M-3043T13	1/4-20 X 1.0" U-BOLT	2
6	M-5463K46I	.50 NPT X .375 BARB.par	2
7	T-050R6000	BULK 1/2" ID X 5' WIRE REINFORCED SOLUTION HOSE	1
8	T-050R6000	BULK 1/2" ID X 5' WIRE REINFORCED SOLUTION HOSE	1
9	T-375R6000	BULK 3/8" ID X 5' WIRE REINFORCED ZERO HOSE	1
10	T-375R6000	BULK 3/8" ID X 5' WIRE REINFORCED ZERO HOSE	1

ROUND DISK BRUSHES:
NOTICE

The ## in Disk Column Denotes Desk Pad Size: 17", 20" or 13"

BRUSHES	DISK	LEVEL
Super Grit	##-382SS	Very High
Tough Grit	##-382S	High
Midi Grit	##-382C	Medium
Light Grit	##-382PS	Moderate
Poly	##-382P	Light
Nylon	##-382N	Light
Tampico	##-382T	Light
Pad Driver	##-382D	
Diamond Driver	##-382DD	

ROUND DISK PADS:
NOTICE

The ## in Disk Column Denotes Desk Pad Size: 17", 20" or 13"

DISK PADS	DISK	LEVEL	COLOR
Super Black	##-422BB	Very High	Black
Black	##-422B	High	Black
Brown	##-422BR	High	Brown
Green	##-422G	Medium	Green
Blue	##-422BL	Moderate	Blue
Red	##-422R	Moderate	Red
White	##-422W	Light	White

CYLINDRICAL BRUSHES:

MODEL 25"		
BRUSHES	CYLINDRICAL	LEVEL
Tough Grit	236-697S	High
Midi Grit	236-697C	Medium
Light Grit	236-697PS	Moderate
Nylon	236-697N	Light
Tampico	236-697T	Light

EDGE PADS AND SCREENS:

DESCRIPTION	24"×14"	20"×14"
	SCRUBDECK	SCRUBDECK
White Pad	N / A	EDGE-4005
Red Pad	EDGE-2404	EDGE-4004
Blue Pad	EDGE-2403	EDGE-4003
Green Pad	EDGE-2402	EDGE-4002
Black Pad	EDGE-2401	EDGE-4001
White Driver Pad	N / A	EDGE-4025
60 Grit Sand Screen	N / A	EDGE-4026
80 Grit Sand Screen	N / A	EDGE-4027
100 Grit Sand Screen	N / A	EDGE-4028
120 Grit Sand Screen	N / A	EDGE-4029
150 Grit Sand Screen	N / A	EDGE-4030
20 Grit Sand Paper	N / A	EDGE-4031
36 Grit Sand Paper	N / A	EDGE-4032
60 Grit Sand Paper	N / A	EDGE-4033
80 Grit Sand Paper	N / A	EDGE-4034

Common Wear Parts

100 Grit Sand Paper	N / A	EDGE-4035
Tile/Grout Renovator Pad	N / A	EDGE-4018
Microfiber Pad	N / A	EDGE-4036
Abrader Plate	N / A	N/A
Dominator HD Strip Pad	N / A	EDGE-4006
Maroon ECO Prep Pad	EDGE-2407	EDGE-4007
Remover Burnishing Pad	N / A	EDGE-4008
Porko Burnishing Pad	N / A	EDGE-4017
Velcro Pad	N / A	300-4023

SQUEEGEE BLADE KITS & COMPLETE SQUEEGEE ASSEMBLIES:

SQUEEGEE SIZE	17" DISK DECKS	20" EDGE DECKS	20" DISK DECKS	24" EDGE DECKS	25" CYL. DECKS	26" DISK DECKS
36" Squeegee	Standard	Standard	Standard	Standard	Standard	Standard
42" Squeegee	Optional	Optional	Optional	Optional	Optional	Optional

SQUEEGEE SIZE	LINATEX BLADE KIT	GUM RUBBER BLADE KIT	URETHANE BLADE KIT	COMPLETE SQUEEGEE ASSEMBLIES
36" Squeegee	36-770L	36-770G	36-770U	36-7180
42" Squeegee	42-770L	42-770G	42-770U	42-7180

SQUEEGEE MATERIAL:	USED FOR:
LINATEX	Provides best wear and tear resistance. Not designed for use with harsh chemicals.
URETHANE	Provides best resistance when dealing with harsh chemicals, oils, fuels, etc.
GUM	Provides best drying performance on rough/grouted floor types by sealing over irregularities. Short life.

NOTICE

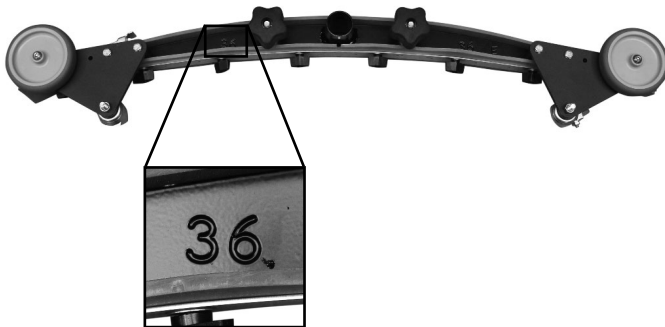
Squeegee blade kits include (1) Rear Blade, (1) Front Blade, and (2) Caster Wheels with hardware.

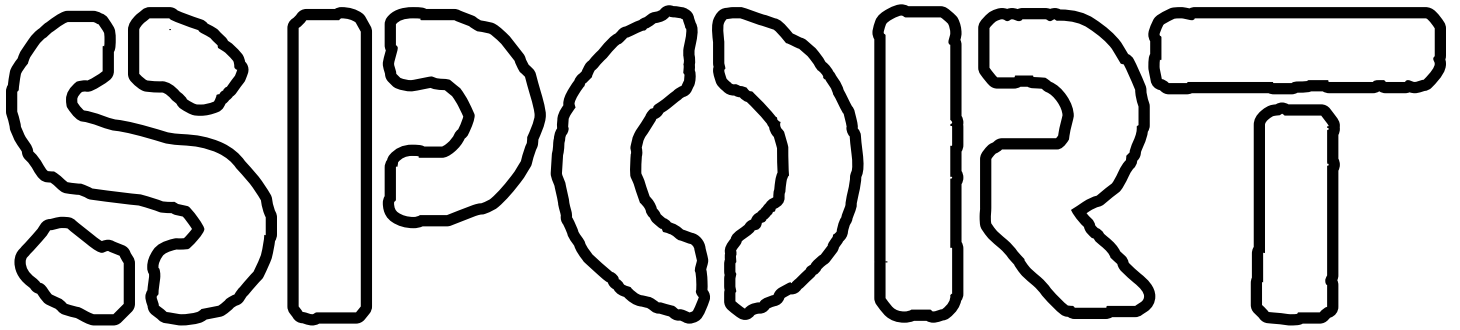
NOTICE

Squeegee Assemblies (complete) listed above all come with Linatex blades.

NOTICE

Size is stamped into the top of the painted steel squeegee body on all squeegee's.



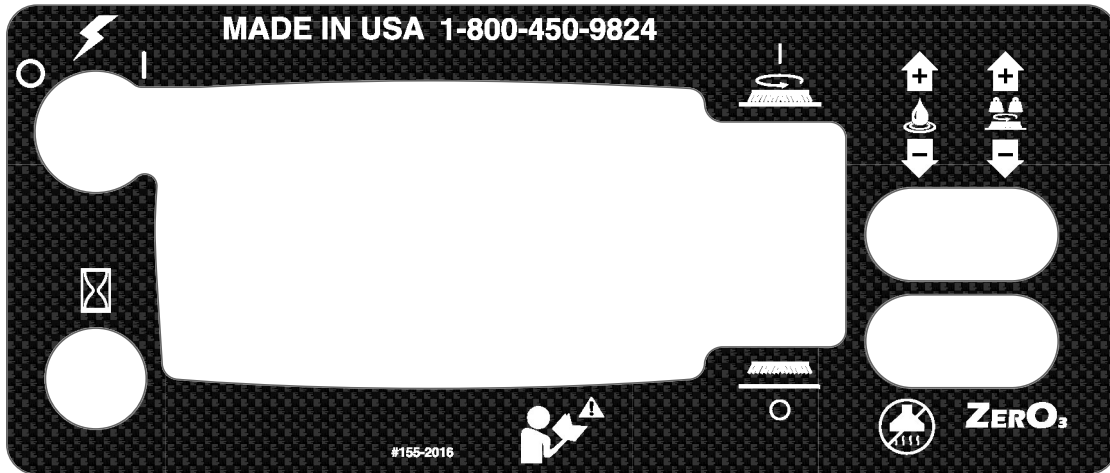


Side Model Sticker - SPORT Part #: 164-1516

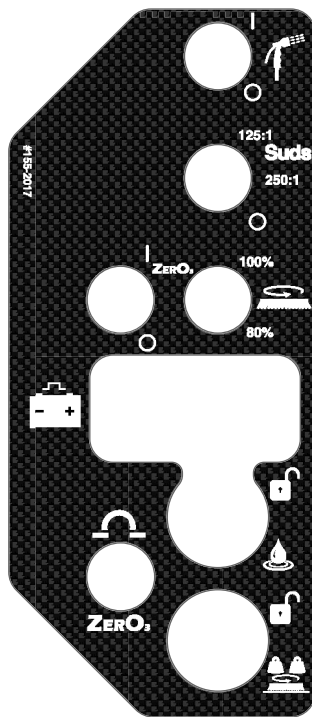


Front Tomcat Sticker Part #: 370-7202

Central Command Stickers - Serial #97254 & Less



Central Command Sticker - Part #: 155-2016

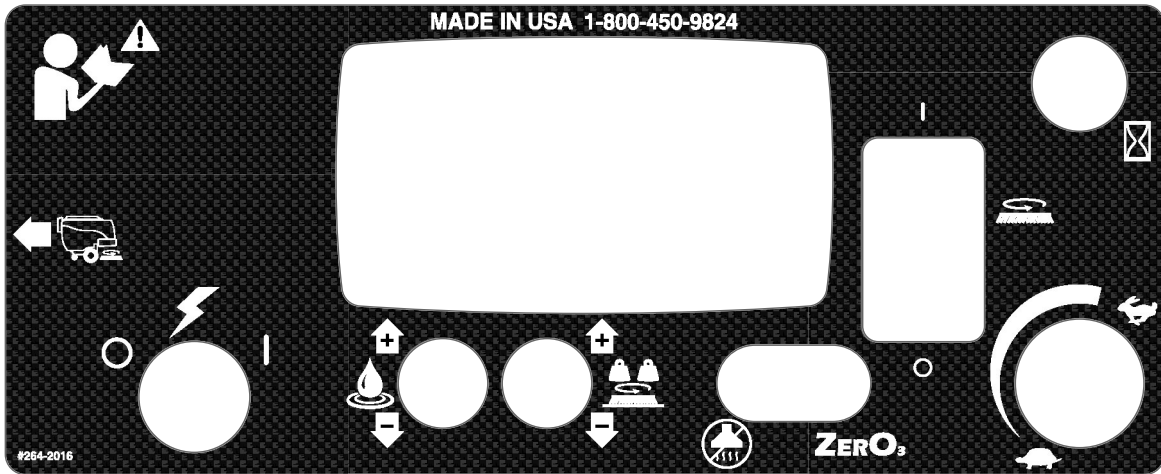


Central Command Side Sticker - Part #: 155-2017

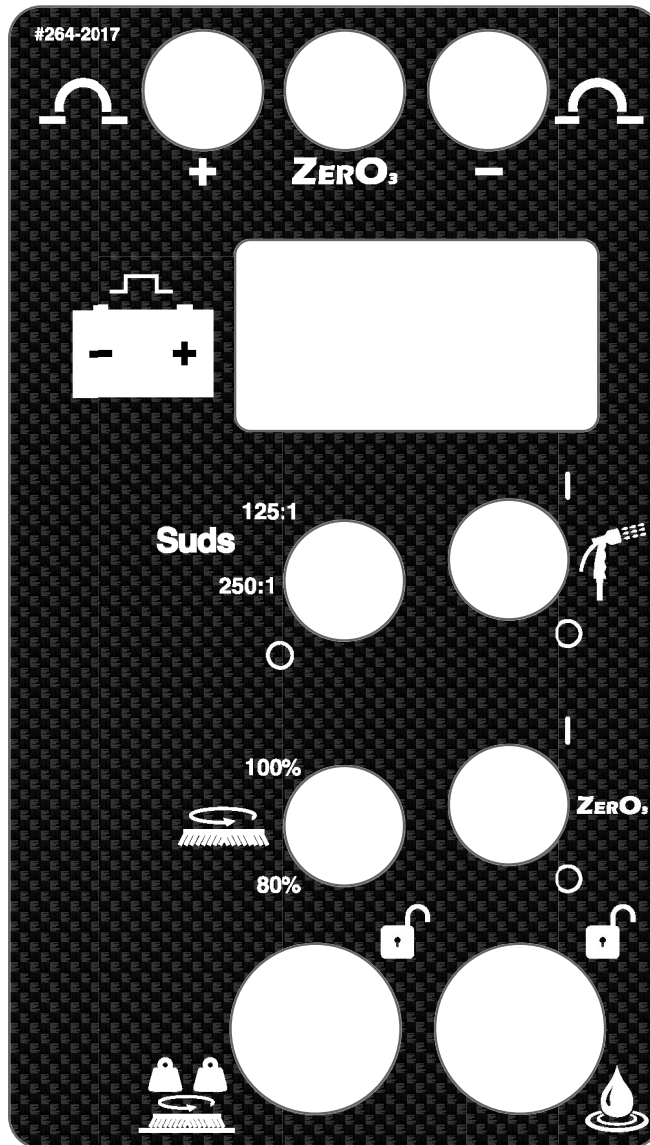


Handlebar Sticker - Part #: 155-2018

Central Command Stickers - Serial #97255 & Greater



Central Command Sticker - Part #: 264-2016



Central Command Side Sticker - Part #: 264-2017

BLANK

THIS PAGE WAS INTENTIONALLY LEFT BLANK



1711 South Street
Racine, WI 53404
www.tomcatequip.com
Tel. US: 800-450-9824
Tel. Int: (001) 262-681-6470